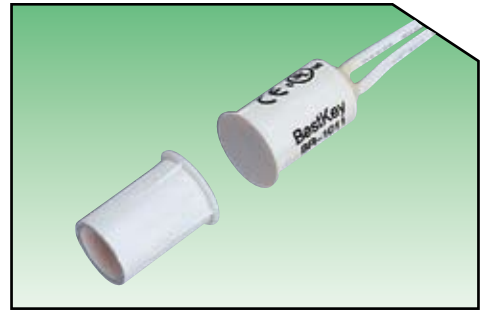


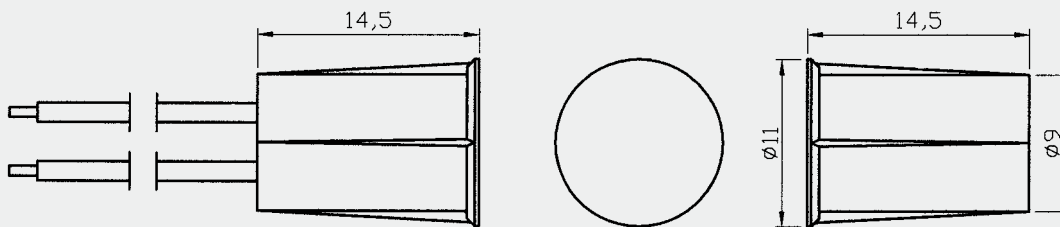
Specification: BR-1011

- * 3/8" diameter Super Miniature Stubby switch
- * Press to fit
- * Standard 18" #22AWG Leads
- * Switch or magnet are available separately
- * Special leads available on request
- * Resistor, Diode and Supervisory Loop available on request
- * Colors: White, Brown, Grey

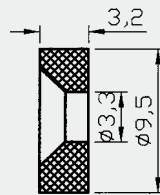
... Recessed Mounted



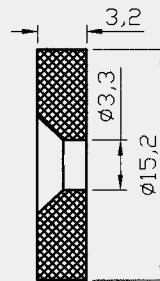
Dimension (mm):



Alternate Rare Earth Magnets:



MN400
for BR-1011DM



MN600
for BR-1011DMWG

Order Information:

Part Number	Loop Type	Reed Form	Closed Gap [Inch(mm)]	Departure Gap [Inch(mm)]	Maximum Initial Contact Resistance (Ohm)	Maximum Contact Rating (W)	Maximum Switching Voltage (VDC/VAC)	Maximum Switching Current (A)
BR-1011	Closed	N/O	3/4 (19)	0.8 (20)	0.200	10	100	0.5
BR-1011DM	Closed	N/O	5/8 (16)	0.72 (18)	0.200	10	100	0.5
BR-1011DMWG	Closed	N/O	1 (25)	1.06 (27)	0.200	10	100	0.5

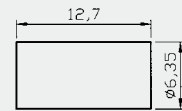
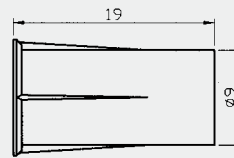
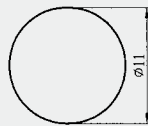
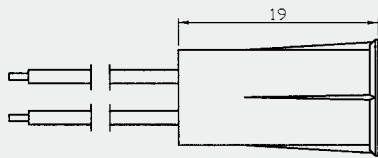
Specification: BR-1012

- * 3/8" diameter miniature flush mounted
- * Press to fit
- * Standard 18" #22AWG Leads
- * Special leads upon request
- * Switch or magnet are available separately
- * Resistor, Diode and Supervisory Loop available on request
- * Colors: White, Brown, Grey

... Recessed Mounted

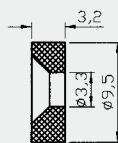


Dimension (mm):

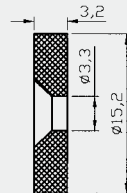


MN2550
for BR-1012MN2550

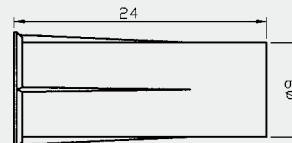
Alternate Rare Earth Magnets:



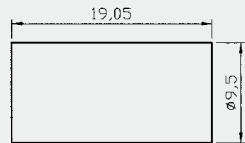
MN400
for BR-1012DM



MN600
for BR-1012DMWG



M3710C
for BR-1012WGL



MN3775
for BR-1012XWG

Order Information:

Part Number	Loop Type	Reed Form	Closed Gap [Inch(mm)]	Departure Gap [Inch(mm)]	Maximum Initial Contact Resistance (Ohm)	Maximum Contact Rating (W)	Maximum Switching Voltage (VDC/VAC)	Maximum Switching Current (A)
BR-1012	Closed	N/O	3/4 (19)	0.8 (20)	0.150	10	100	0.5
BR-1012WG	Closed	N/O	1 ¹ / ₄ (32)	1.45 (37)	0.150	10	100	0.5
BR-1012WGL	Closed	N/O	1 ¹ / ₈ (28)	1.1 (28)	0.150	10	100	0.5
BR-1012MN2550	Closed	N/O	3/4 (20)	0.9 (23)	0.150	10	100	0.5
BR-1012DM	Closed	N/O	5/8 (16)	0.75 (19)	0.150	10	100	0.5
BR-1012DMWG	Closed	N/O	1 (25)	1.05 (27)	0.150	10	100	0.5

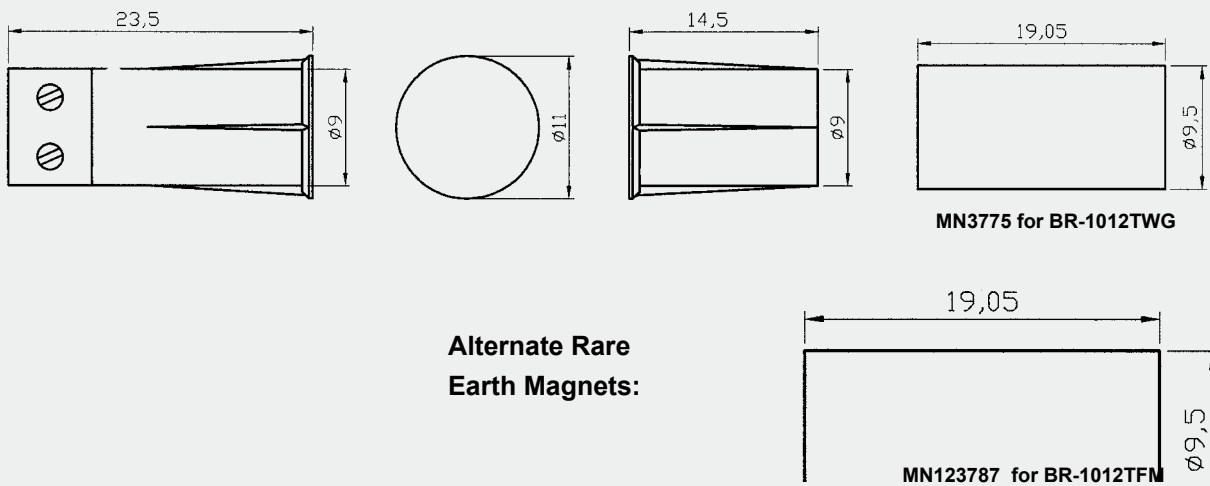
Specification: BR-1012T

- * 3/8" diameter Stubby press to fit
- * Terminal block for quick connecting
- * Switch or magnet available separately
- * Build-in Resistors or Diodes on request
- * Colors: White, Brown, Grey

... Recessed Mounted



Dimension (mm):



Order Information:

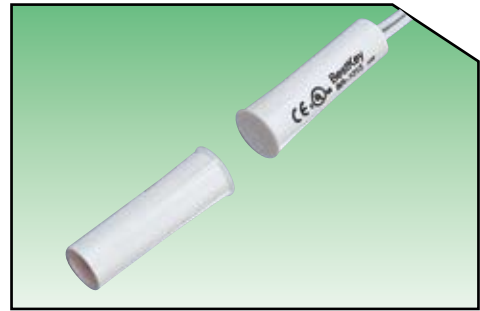
Part Number	Loop Type	Reed Form	Closed Gap [Inch(mm)]	Departure Gap [Inch(mm)]	Maximum Initial Contact Resistance (Ohm)	Maximum Contact Rating (W)	Maximum Switching Voltage (VDC/VAC)	Maximum Switching Current (A)
BR-1012T	Closed	N/O	3/4 (19)	0.82 (21)	0.150	10	100	0.5
BR-1012TWG	Closed	N/O	1 1/4(35)	1.47 (37)	0.150	10	100	0.5
BR-1012TFM	Closed	N/O	1 1/4(31)	1.3 (33)	0.150	10	100	0.5

Note: Wire Range: #20~#24AWG

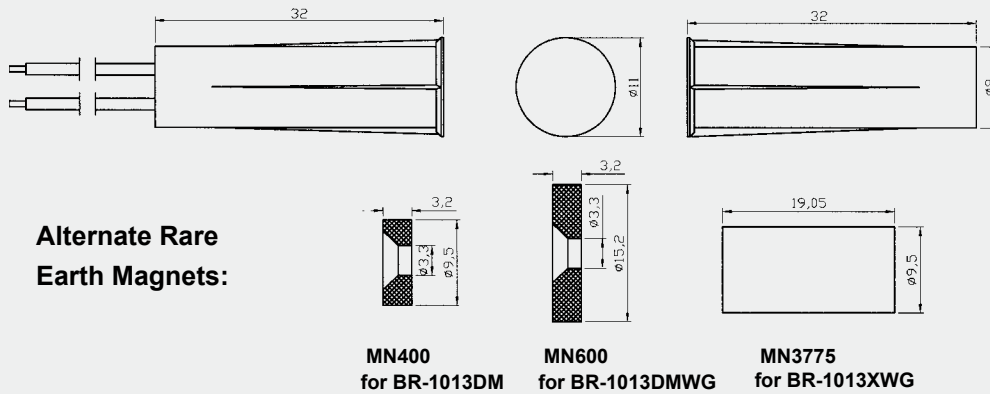
Specification: **BR-1013**

- * 3/8" diameter press to fit
- * Standard 18" #22 AWG leads
- * Special leads upon request
- * Switch or magnet are available separately
- * Resistor, Diode and Supervisory Loop available on request
- * Build-in Resistors or Diodes on quest
- * Colors: White, Brown, Grey

... Recessed Mounted



Dimension (mm):



Order Information:

Part Number	Loop Type	Reed Form	Closed Gap [Inch(mm)]	Depature Gap [Inch(mm)] (Ohm)	Maximum Initial Contact Resistance (W)	Maximum Contact Rating (VDC/VAC)	Maximum Switching Voltage (A)	Maximum Switching Current
BR-1013	Closed	N/O	1 (25)	1.1 (28)	0.150	10	100	0.5
BR-1013XWG	Closed	N/O	1 1/4 (37)	1.81 (46)	0.150	10	100	0.5
BR-1013DM	Closed	N/O	3/4 (19)	0.87 (22)	0.150	10	100	0.5
BR-1013DMWG	Closed	N/O	1 1/4 (31)	1.3 (33)	0.150	10	100	0.5
BR-1013A	Open	N/C	1/8 (22)		0.150	3	30	0.2
BR-1013C	Closed&Open	SPDT	1/8 (22)		0.150	3	30	0.2
BR-1013DMA	Open	N/C	5/8 (15)		0.150	3	30	0.2
BR-1013DMC	Closed&Open	SPDT	5/8 (15)		0.150	3	30	0.2
BR-1013DMWGA	Open	N/C	1 (25)		0.150	3	30	0.2
BR-1013DMWGC	Closed&Open	SPDT	1 (25)		0.150	3	30	0.2

* BR-1013XWG magnetic contact switches shall be installed so that a door or other movable opening cannot be opened more than 2 inches (51mm) without initiating an alarm. Switches exceeding 2 inches can not be installed per UL681-the Standard for installation and Classification of Burglar and Holdup Alarm

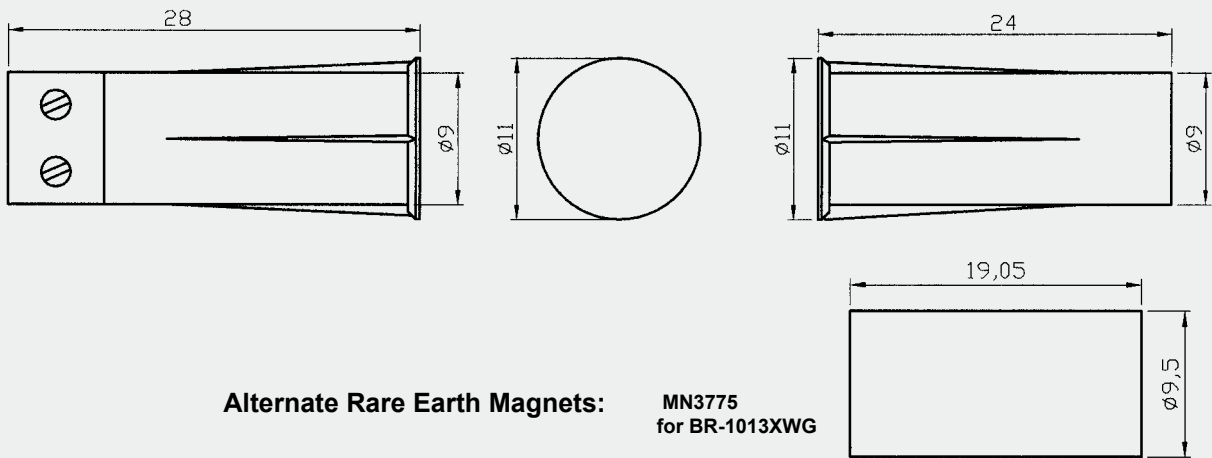
Specification: BR-1013T

- * 3/8" diameter press to fit
- * Terminal block for quick connecting
- * Switch and Magnet available separately
- * Build-in Resistors or Diodes on quest
- * Colors: White, Brown, Grey

... Recessed Mounted



Dimension (mm):



Alternate Rare Earth Magnets: MN3775 for BR-1013XWG

Order Information:

Part Number	Loop Type	Reed Form	Closed Gap [Inch(mm)]	Depature Gap [Inch(mm)]	Maximum Initial Contact Resistance (Ohm)	Maximum Contact Rating (W)	Maximum Switching Voltage (VDC/VAC)	Maximum Switching Current (A)
BR-1013T	Closed	N/O	¹⁵ / ₁₆ (23)	0.87 (25)	0.150	10	100	0.5
BR-1013TXWG	Closed	N/O	1 ¹ / ₂ (37)	1.61 (41)	0.150	10	100	0.5
BR-1013TA	Open	N/C	³ / ₄ (19)		0.150	3	30	0.2

Note: Wire Range: #20~#24AWG

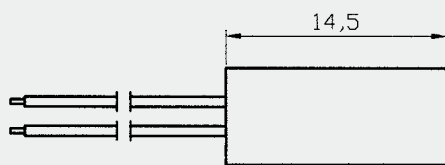
Specification: **BR-1014**

- * Super miniature recessed switch
- * 1/4" diameter straight cylindrical set for flush or counter sunk installations
- * Standard 18" #22AWG leads
- * Switch and Magnet available separately
- * Wide gap up to 1"+ with 1/4" x 1" rare earth magnet
- * Colors: White, Brown, Grey

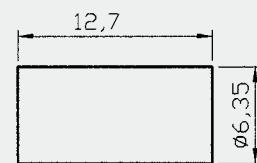
... Recessed Mounted



Dimension (mm):



SWITCH



MAGNET

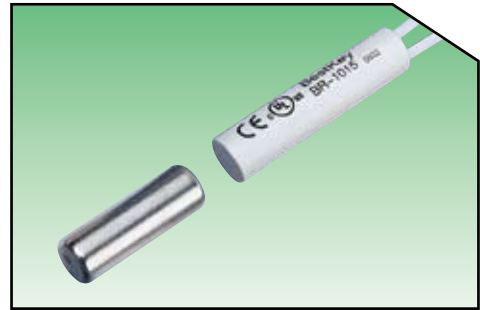
Order Information:

Part Number	Loop Type	Reed Form	Closed Gap [Inch(mm)]	Departure Gap [Inch(mm)]	Maximum Initial Contact Resistance (Ohm)	Maximum Contact Rating (W)	Maximum Switching Voltage (VDC/VAC)	Maximum Switching Current (A)
BR-1014	Closed	N/O	3/4 (19)	0.93 (23)	0.150	10	100	0.5

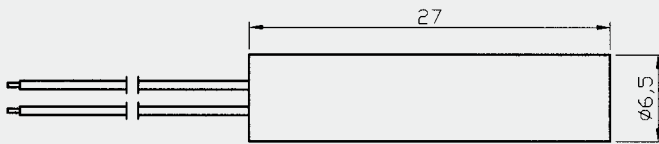
Specification: BR-1015

- * Super miniature recessed switch
- * 1/4" diameter straight cylindrical set for flush or counter sunk installations
- * Standard 18" #22AWG leads
- * Special leads available
- * Switch and Magnet available separately
- * Resistor, Diode and Supervisory Loop available on request
- * Colors: White, Brown, Grey

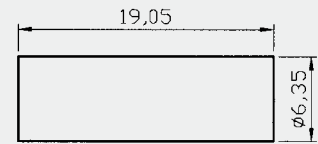
... Recessed Mounted



Dimension (mm):



SWITCH



MAGNET

Order Information:

Part Number	Loop Type	Reed Form	Closed Gap [Inch(mm)]	Departure Gap [Inch(mm)]	Maximum Initial Contact Resistance (Ohm)	Maximum Contact Rating (W)	Maximum Switching Voltage (VDC/VAC)	Maximum Switching Current (A)
BR-1015	Closed	N/O	1 (25)	1.06 (27)	0.150	10	100	0.5
BR-1015A	Open	N/O	3/4 (20)		0.150	3	30	0.2
BR-1015C	Closed & Open	SPDT	3/4 (20)		0.150	3	30	0.2



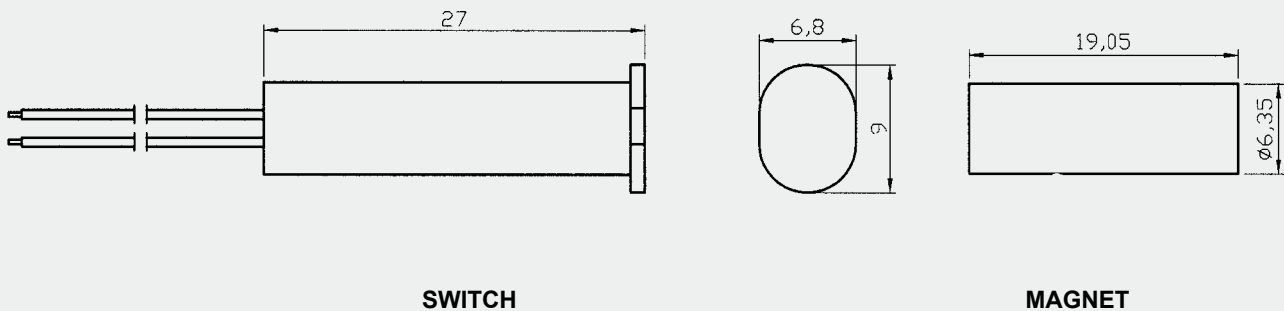
Specification: BR-1016

- * 1/4" diameter flanged flush type
- * Flanged to prevent inadvertent pulling of the switch into the wall
- * Wire: 18" #22AWG leads
- * Special leads available
- * Resistor, Diode and Supervisory Loop available on request
- * Colors: White, Brown, Grey

... Recessed Mounted



Dimension (mm):



Order Information:

Part Number	Loop Type	Reed Form	Closed Gap [Inch(mm)]	Departure Gap [Inch(mm)]	Maximum Initial Contact Resistance (Ohm)	Maximum Contact Rating (W)	Maximum Switching Voltage (VDC/VAC)	Maximum Switching Current (A)
BR-1016	Closed	N/O	1 (25)	1.06 (27)	0.150	10	100	0.5
BR-1016A	Open	N/O	3/4 (20)		0.150	3	30	0.2
BR-1016C	Closed & Open	SPDT	3/4 (20)		0.150	3	30	0.2



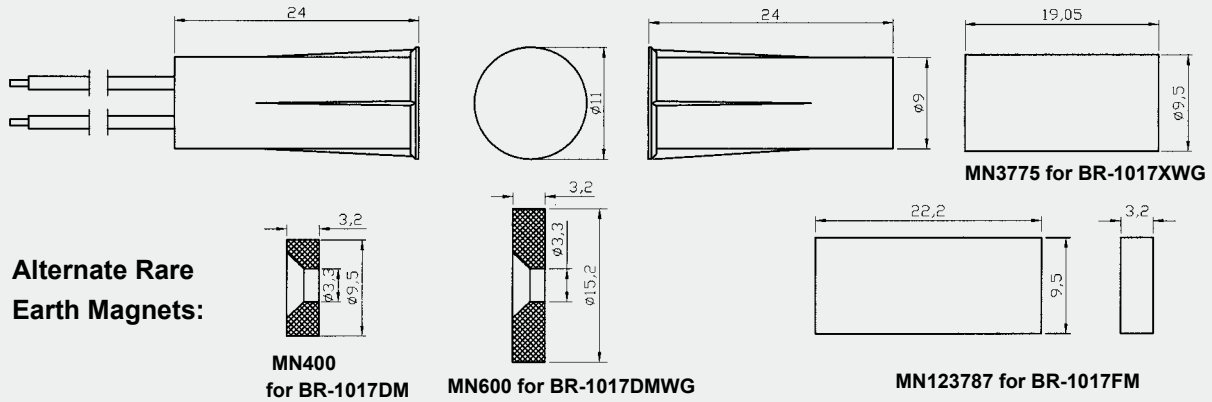
Specification: BR-1017

- * Recessed switch
- * 3/8" diameter press to fit
- * Standard 18" #22AWG leads
- * Swith and Magnet available seperately
- * Speical leads available
- * Resistor, Diode and Supervisory Loop available on request
- * Colors: White, Brown, Grey

... Recessed Mounted



Dimension (mm):



Order Information:

Part Number	Loop Type	Reed Form	Closed Gap [Inch(mm)]	Depature Gap [Inch(mm)] (Ohm)	Maximum Initial Contact Resistance (W)	Maximum Contact Rating (VDC/VAC)	Maximum Switching Voltage (A)	Maximum Switching Current
BR-1017	Closed	N/O	3/4 (19)	0.87 (22)	0.150	10	100	0.5
BR-1017WG	Closed	N/O	1 (25)	1.1 (28)	0.150	10	100	0.5
BR-1017XWG	Closed	N/O	1 ¹ / ₄ (32)	1.38 (35)	0.150	10	100	0.5
BR-1017FM	Closed	N/O	1 ¹ / ₈ (28)	1.18 (30)	0.150	10	100	0.5
BR-1017DM	Closed	N/O	³ / ₄ (19)	0.87 (22)	0.150	10	100	0.5
BR-1017DMWG	Closed	N/O	1 (25)	1.06 (27)	0.150	10	100	0.5
BR-1017A	Open	N/C	³ / ₄ (19)		0.150	3	30	0.2
BR-1017C	Closed & Open	SPDT	³ / ₄ (19)		0.150	3	30	0.2



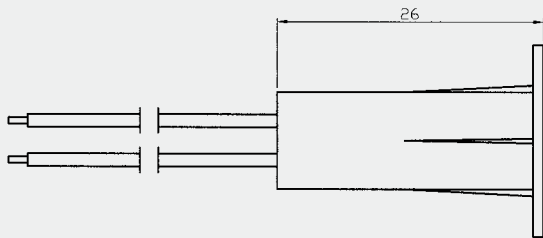
Specification: BR-1018

- * Flanged recessed switch
- * 3/8" diameter press to fit
- * Standard 18" #22AWG leads
- * Special wire available
- * Switch and Magnet available seperately
- * Resistor, Diode and Supervisory Loop available on request
- * Colors: White, Brown, Grey

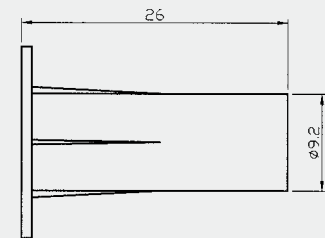
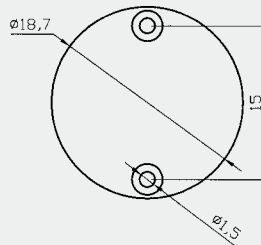
... Recessed Mounted



Dimension (mm):



SWITCH



MAGNET

Order Information:

Part Number	Loop Type	Reed Form	Closed Gap [Inch(mm)] (Ohm)	Depature Gap [Inch(mm)] (W)	Maximum Initial Contact Resistance (VDC/VAC)	Maximum Contact Rating (A)	Maximum Switching Voltage	Maximum Switching Current
BR-1018	Closed	N/O	3/4 (19)	0.78 (22)	0.150	10	100	0.5
BR-1018WG	Closed	N/O	1 (25)		0.150	10	100	0.5
BR-1018A	Open	N/C	3/4 (19)		0.150	3	30	0.2
BR-1018C	Closed & Open	SPDT	3/4 (19)		0.150	3	30	0.2



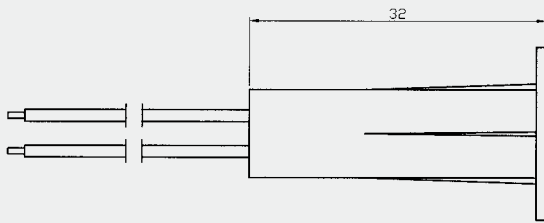
Specification: BR-1019

- * Flanged recessed switch
- * 3/8" diameter press to fit
- * Standard 18" #22AWG leads
- * Special wire available
- * Switch and Magnet available seperately
- * Resistor, Diode and Supervisory Loop available on request
- * Colors: White, Brown, Grey

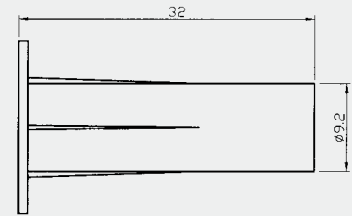
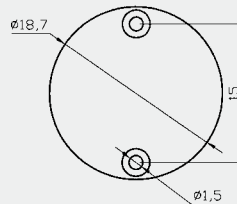
... Recessed Mounted



Dimension (mm):



SWITCH



MAGNET

Order Information:

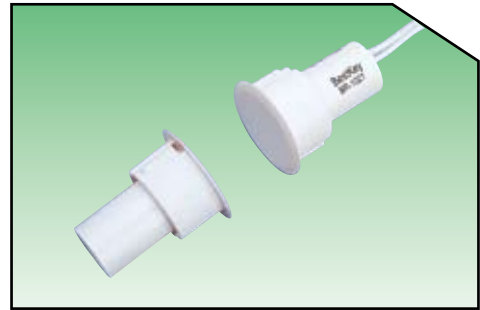
Part Number	Loop Type	Reed Form	Closed Gap [Inch(mm)]	Depature Gap [Inch(mm)] (Ohm)	Maximum Initial Contact Resistance (W)	Maximum Contact Rating (VDC/VAC)	Maximum Switching Voltage (A)	Maximum Switching Current
BR-1019	Closed	N/O	3/4 (19)	0.87 (22)	0.150	10	100	0.5
BR-1019WG	Closed	N/O	1 (25)	1.1 (28)	0.150	10	100	0.5
BR-1019A	Open	N/C	3/4 (19)		0.150	3	30	0.2
BR-1019C	Closed & Open	SPDT	3/4 (19)		0.150	3	30	0.2



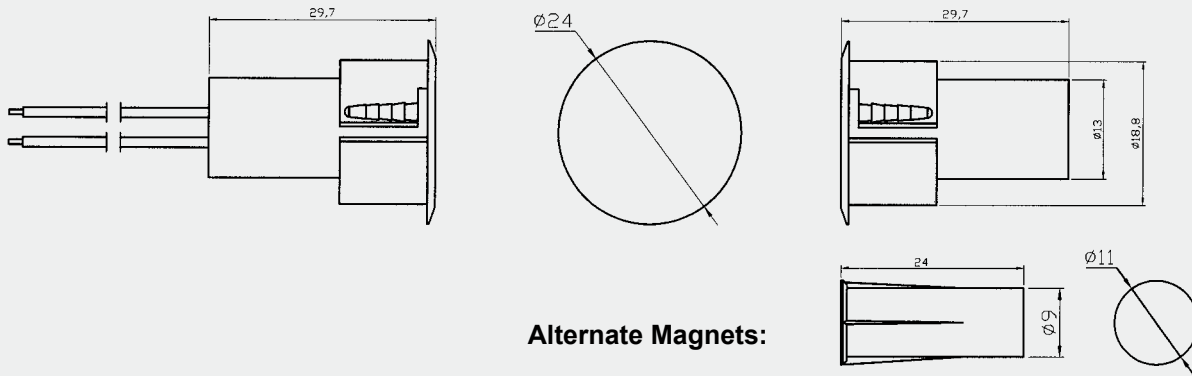
Specification: BR-1021

- * 3/4" diameter press to fit
- * Suitable for steel door install
- * Self-locking
- * Standard 18" #22AWG leads
- * Special leads available
- * Switch and Magnet available seperately
- * Resistor, Diode and Supervisory Loop available on request
- * Colors: White, Brown, Grey

... Recessed Mounted



Dimension (mm):



Alternate Magnets:

M3710C for BR-1021MM

Order Information:

Part Number	Loop Type	Reed Form	Closed Gap (in steel door) [Inch(mm)]	Departure Gap (in steel door) [Inch(mm)]	Maximum Initial Contact Resistance (Ohm)	Maximum Contact Rating (W)	Maximum Switching Voltage (VDC/VAC)	Maximum Switching Current (A)
BR-1021	Closed	N/O	3/4 (19)	0.95 (24)	0.150	7.5	100	0.4
BR-1021MM	Closed	N/O	1 (23)(in wood)	1 (25)	0.150	7.5	100	0.4
BR-1021WG	Closed	N/O	1 (25)		0.150	7.5	100	0.4
BR-1021A	Open	N/C	5/8 (15)		0.150	3	30	0.2
BR-1021C	Closed & Open	SPDT	5/8 (15)		0.150	3	30	0.2
BR-1021D	DPDT	2SPDT	1/2 (12)		0.150	3	30	0.2

Note: Gap will increase twice for installations other than steel

* These magnetic contact switches shall be installed so that a door or other movable opening cannot be opened more than 2 inches (51mm) without initiating an alarm. Switches exceeding 2 inches can not be installed per UL681-the Standard for installation and Classification of Burglar and Holdup Alarm

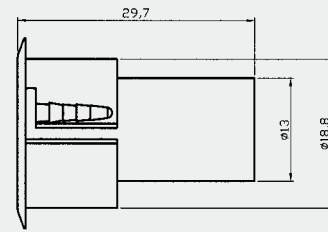
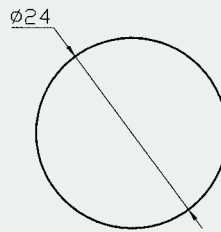
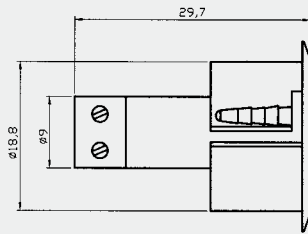
Specification: BR-1021T

- * 3/4" diameter press to fit
- * Suitable for steel door install
- * Self-locking
- * Switch and Magnet available seperately
- * Resistor or Diode available on request
- * Colors: White, Brown, Grey

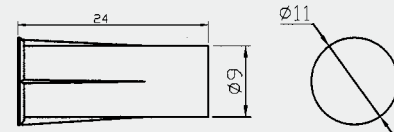
... Recessed Mounted



Dimension (mm):



Alternate Magnets:



M3710C for BR-1021TMM

Order Information:

Part Number	Loop Type	Reed Form	Closed Gap (in steel door) [Inch(mm)]	Departure Gap (in steel door) [Inch(mm)]	Maximum Initial Contact Resistance (Ohm)	Maximum Contact Rating (W)	Maximum Switching Voltage (VDC/VAC)	Maximum Switching Current (A)
BR-1021T	Closed	N/O	1/2+ (15)	0.6 (17)	0.150	7.5	100	0.4
BR-1021TMM	Closed	N/O	1 (23) (in wood)	0.95(24)	0.150	7.5	100	0.4
BR-1021TWG	Closed	N/O	3/4 (19)		0.150	7.5	100	0.4
BR-1021TA	Open	N/C	1/2 (13)		0.150	3	30	0.2



Note: 1. Gap will increase substantially for installations other than steel
 2. Wire range for terminals: #20~#24AWG

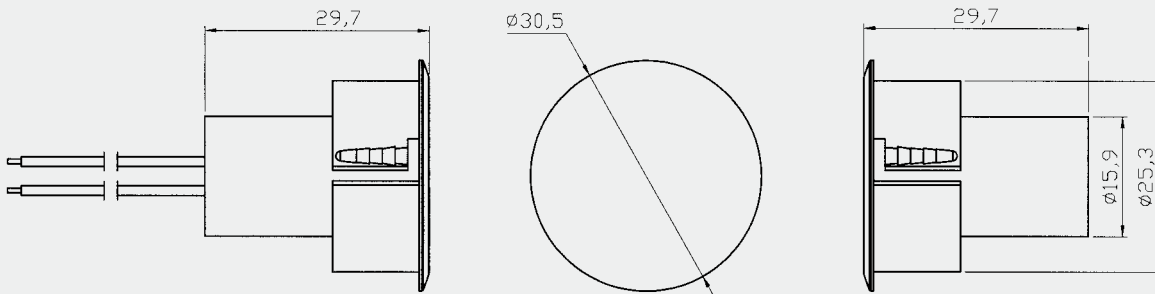
Specification: **BR-1022**

- * 1" diameter press to fit
- * Suitable for steel door install
- * Self-locking
- * Standard 18" #22AWG leads
- * Special leads available
- * Switch and Magnet available separately
- * Resistor, Diode and Supervisory Loop available on request
- * Colors: White, Brown, Grey

... Recessed Mounted



Dimension (mm):



Order Information:

Part Number	Loop Type	Reed Form [Inch(mm)]	Closed Gap (in steel door) [Inch(mm)]	Departure Gap (in steel door) (Ohm)	Maximum Initial Contact Resistance (W)	Maximum Contact Rating (VDC/VAC)	Maximum Switching Voltage (A)	Maximum Switching Current
BR-1022	Closed	N/O	0.85 (22)	0.95 (24)	0.150	7.5	100	0.4
BR-1022WG	Closed	N/O	1 (26)	1.1 (28)	0.150	7.5	100	0.4
BR-1022A	Open	N/C	3/4 (19)		0.150	3	30	0.2
BR-1022C	Closed & Open	SPDT	3/4 (19)		0.150	3	30	0.2
BR-1022D	DPDT	2SPDT	3/4 (19)		0.150	3	30	0.2

Note: Gap will increase twice for installations other than steel

* These magnetic contact switches shall be installed so that a door or other movable opening cannot be opened more than 2 inches (51mm) without initiating an alarm. Switches exceeding 2 inches can not be installed per UL681-the Standard for installation and Classification of Burglar and Holdup Alarm



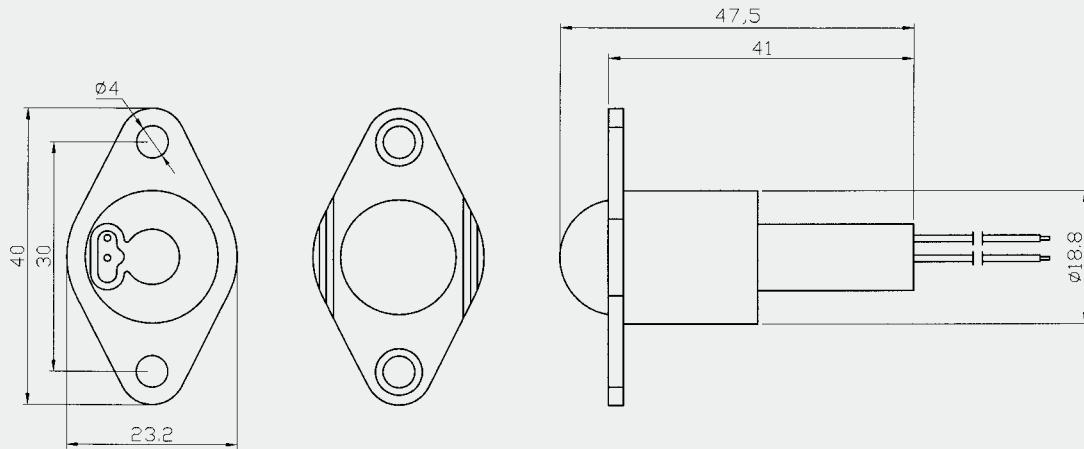
Specification: BR-1031

- * Roll plunger flush type
- * Work from 360 degree directions
- * 3/4" diameter
- * Standard 18" #22AWG leads
- * Special leads available
- * Spacer and screws included
- * Resistor, Diode and Supervisory Loop available on request
- * Colors: White or Brown

... Roll Ball Switch



Dimension (mm):



Order Information:

Part Number	Loop Type	Reed Form	Closed Gap (total travel) [Inch(mm)]	Maximum Initial Contact Resistance (Ohm)	Maximum Contact Rating (W)	Maximum Switching Voltage (VDC/VAC)	Maximum Switching Current (A)
BR-1031	Closed	N/O	1/4 (6)	0.150	10	100	0.5
BR-1031A	Open	N/C	1/4 (6)	0.150	3	30	0.2
BR-1031C	Closed & Open	SPDT	1/4 (6)	0.150	3	30	0.2

Note: Total Travel: .236 inch (6mm)

Pre Travel: .07 +/- .03 inch (1.75 +/- .75 mm)

Specification:

- * Plunger flush type
- * 3/4" diameter
- * Standard 18" #22AWG leads
- * Special leads available
- * Spacer and screws included
- * Terminal block available
- * Colors: White or Brown

••• Dome Switch

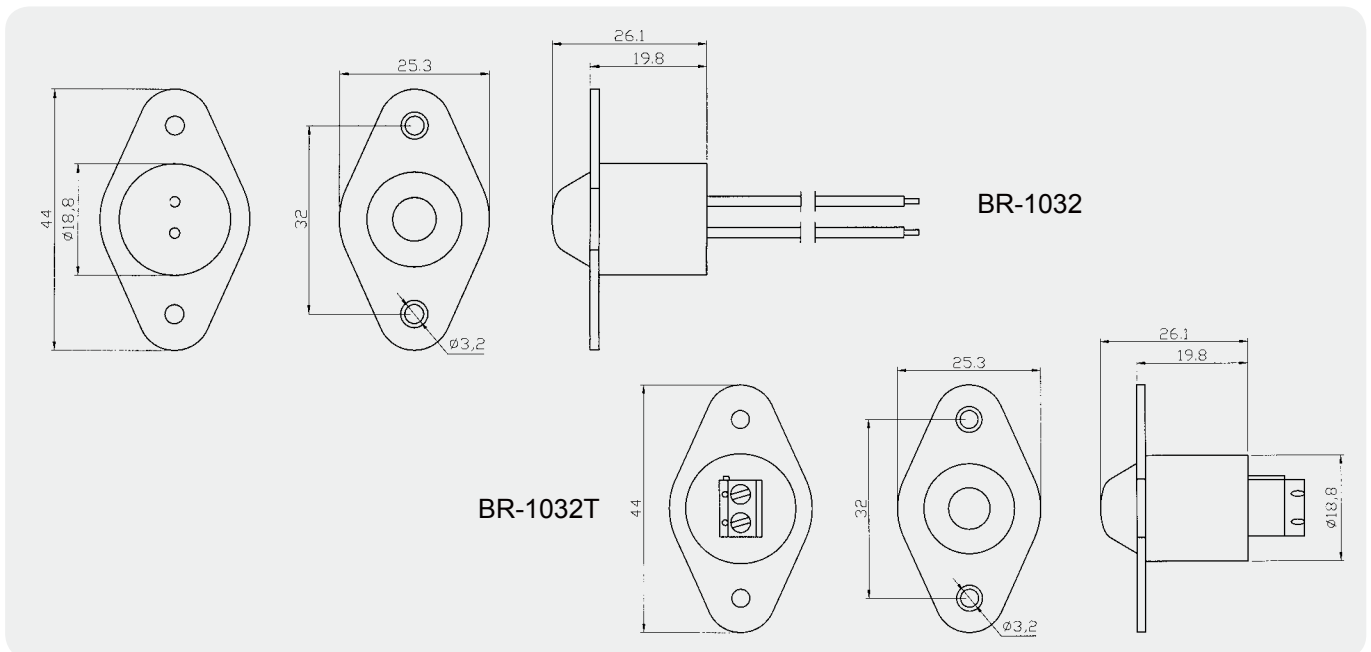
BR-1032



BR-1032T



Dimension (mm):



Order Information:

Part Number	Loop Type	Reed Form	Gap (total travel) [Inch(mm)]	Maximum Initial Contact Resistance (Ohm)	Maximum Contact Rating (W)	Maximum Switching Voltage (VDC/VAC)	Maximum Switching Current (A)
BR-1032	Closed	N/O	1/4 (6)	0.150	10	100	0.5
BR-1032T	Closed	N/O	1/4 (6)	0.150	10	100	0.5

Note: 1. Total Travel: .236 inch (6mm) Pre Travel: .065+/-0.025 inch (1.65+/-0.60 mm)
 2. Wire range for terminal: #18~#24AWG

Push Button Switch

Specification:

- * Push button switch
- * 3/4" diameter press to fit
- * Self-locking
- * Spacer and screws included
- * 18" #22AWG leads or screw terminal
- * Special leads available
- * Colors: White, Brown

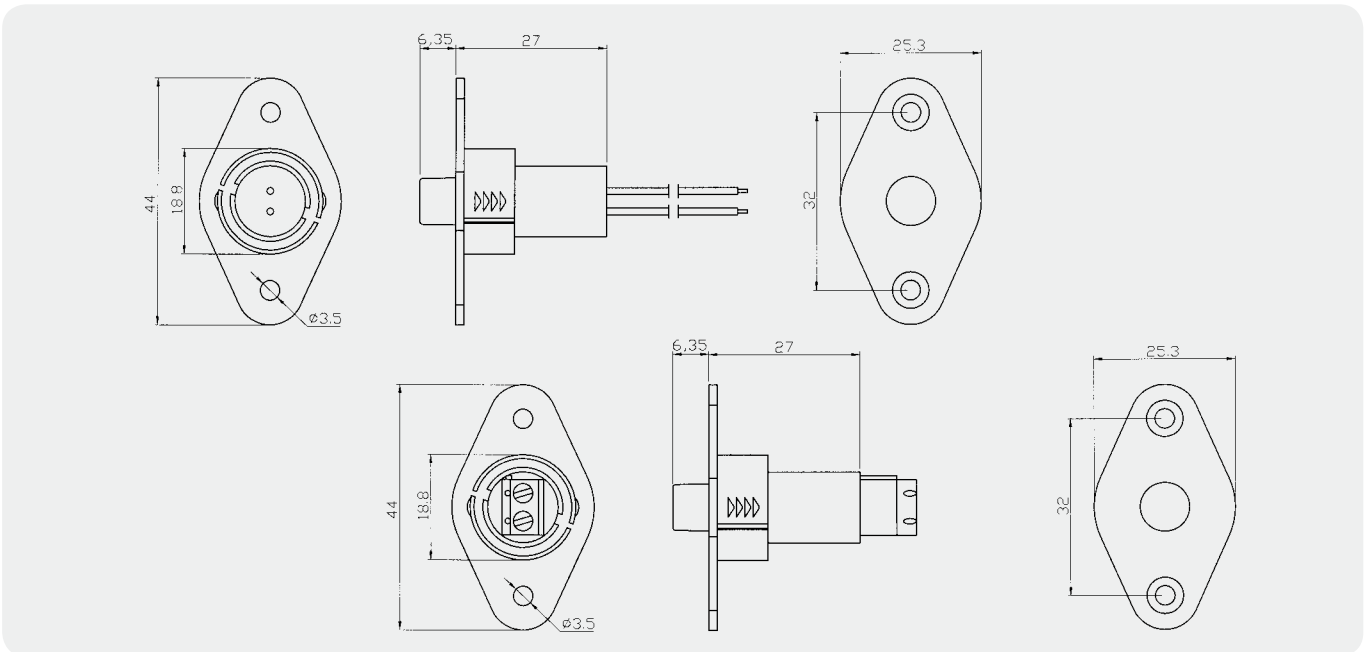
BR-1041



BR-1041T



Dimension (mm):



Order Information:

Part Number	Loop Type	Reed Form	Gap [Inch(mm)]	Maximum Initial Contact Resistance (Ohm)	Maximum Contact Rating (W)	Maximum Switching Voltage (VDC/VAC)	Maximum Switching Current (A)
BR-1041	Closed	N/O	1/4 (6.3)	0.150	10	100	0.5
BR-1041T	Closed	N/O	1/4 (6.3)	0.150	10	100	0.5
BR-1041A	Open	N/C	1/4 (6.3)	0.150	3	30	0.2
BR-1041C	Open	SPDT	1/4 (6.3)	0.150	3	30	0.2
BR-1041TA	Open	N/C	1/4 (6.3)	0.150	3	30	0.2

Note: 1. Total Travel: .25 inch (6.35mm) Pre Travel: .07+/-0.03 inch (1.75+/-0.75 mm)
 2. Wire range for terminal: #18~#24AWG

Specification:

- * Adjustable screw plunger
- * 3/8" diameter press to fit
- * Single drink hole
- * 18" #22AWG leads or screw terminal
- * Special leads available
- * Flange style available
- * Colors: White, Brown, Grey

... Plunger Switch

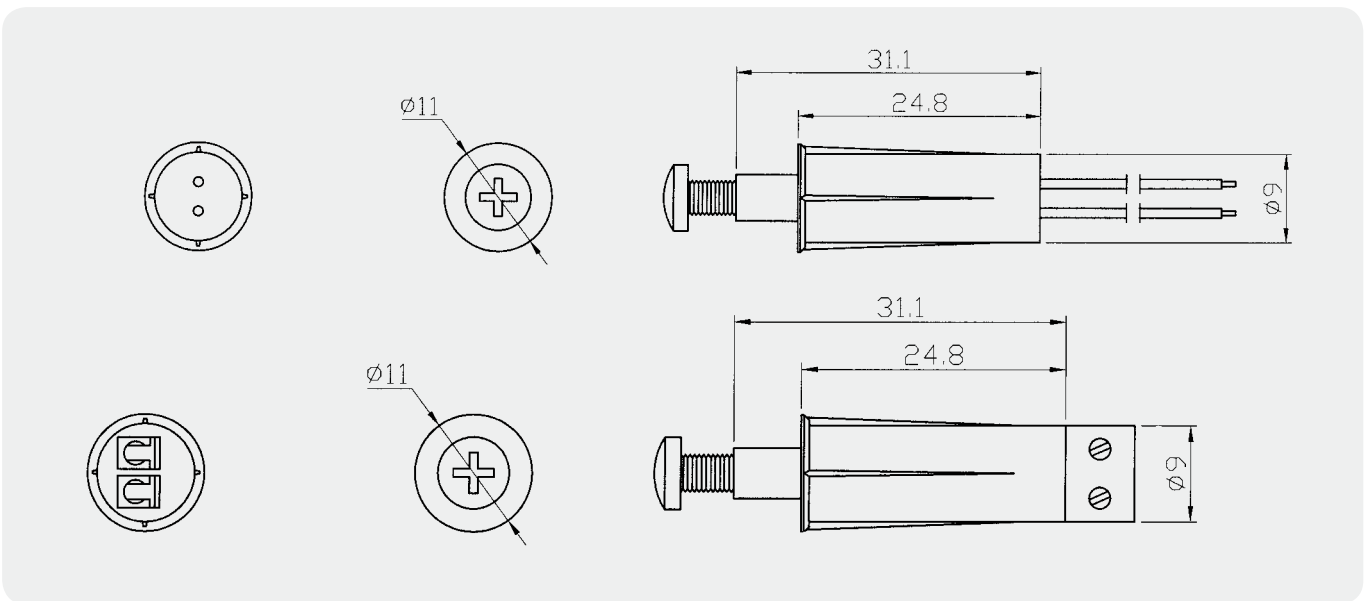
BR-1051



BR-1051T



Dimension (mm):



Order Information:

Part Number	Loop Type	Reed Form	Gap (total travel) [Inch(mm)]	Maximum Initial Contact Resistance (Ohm)	Maximum Contact Rating (W)	Maximum Switching Voltage (VDC/VAC)	Maximum Switching Current (A)
BR-1051	Closed	N/O	1/4 (6.2)	0.150	10	100	0.5
BR-1051T	Closed	N/O	1/4 (6.2)	0.150	10	100	0.5

Note: 1. Total Travel: .244 inch (6.2mm) Pre Travel: .11 +/- .04 inch (2.80 +/- 1.00mm)
 2. Wire range for terminal: #20~#24AWG

Specification:

- * Adjustable screw plunger w/ flange
- * 3/8" diameter press to fit
- * Single drink hole
- * 18" #22AWG leads or screw terminal
- * Special leads available
- * Screws included
- * Colors: White, Brown, Grey

... Plunger Switch

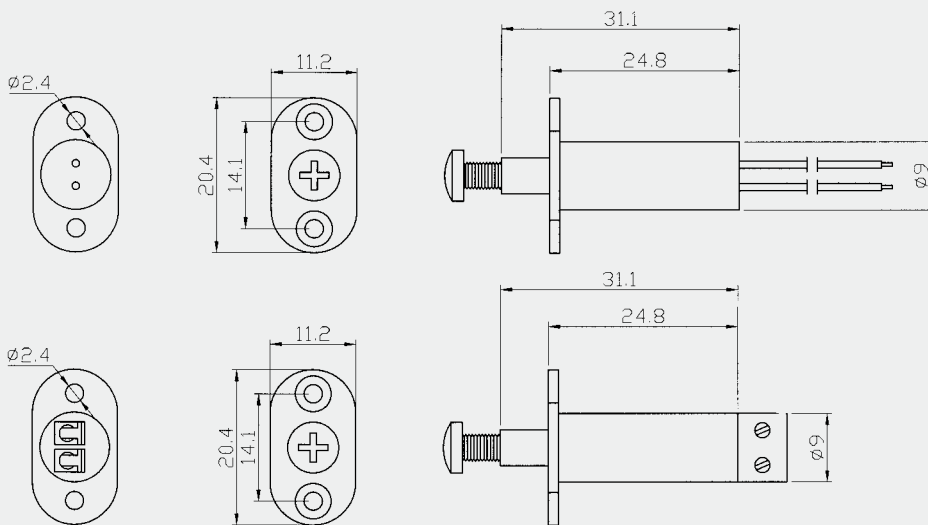
BR-1051F



BR-1051FT



Dimension (mm):



Order Information:

Part Number	Loop Type	Reed Form	Gap [Inch(mm)]	Maximum Initial Contact Resistance (Ohm)	Maximum Contact Rating (W)	Maximum Switching Voltage (VDC/VAC)	Maximum Switching Current (A)
BR-1051F	Closed	N/O	1/4 (6.2)	0.150	10	100	0.5
BR-1051FT	Closed	N/O	1/4 (6.2)	0.150	10	100	0.5
BR-1051FA	Open	N/C	1/4 (6.2)	0.150	3	30	0.2
BR-1051FTA	Open	N/C	1/4 (6.2)	0.150	3	30	0.2

Note: 1. Total Travel: .244 inch (6.2mm) Pre Travel: .11 +/- .04 inch (2.80 +/- 1.00mm)
 2. Wire range for terminal: #20~#24AWG

Specification:

- * Adjustable Plunger from 1/4" to 1/2"
- * Single drink hole
- * 18" #22AWG leads
- * Longer leads available
- * Supervisory Loops Available
- * Screws included
- * Colors: White, Brown, Grey

... Tamper/Plunger Switch

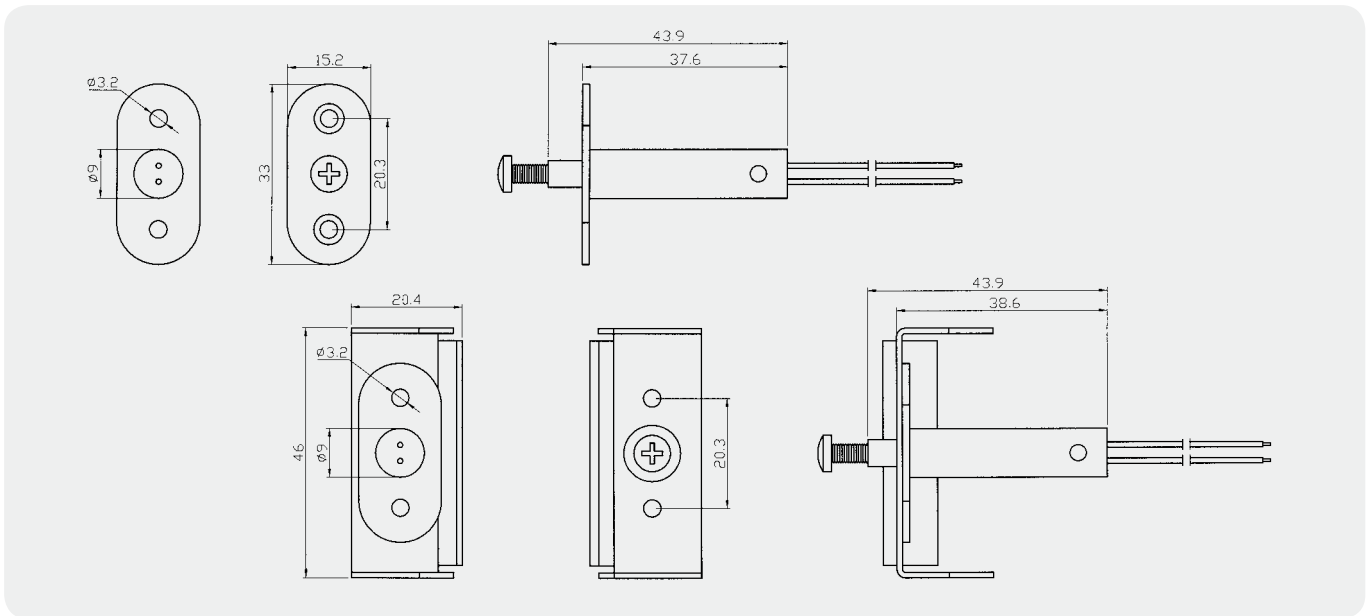
BR-1052



BR-1052K



Dimension (mm):



Order Information:

Part Number	Loop Type	Reed Form	Gap [Inch(mm)]	Maximum Initial Contact Resistance (Ohm)	Maximum Contact Rating (W)	Maximum Switching Voltage (VDC/VAC)	Maximum Switching Current (A)
BR-1052	Closed	N/O	1/4 (6.35)	0.150	10	100	0.5
BR-1052K	Closed	N/O	1/4 (6.35)	0.150	10	100	0.5
BR-1052A	Open	N/C	1/4 (6.35)	0.150	3	30	0.2



Note: Total Travel: .25 inch (6.35mm) Pre Travel: .11 +/- .04 inch (2.80 +/- 1.00mm)

... Tamper/Plunger Switch

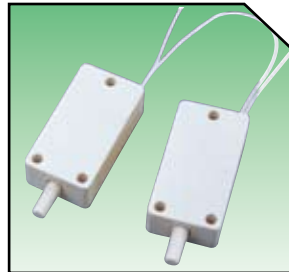
Specification:

- * Tamper switch
- * for drawers and control panel application
- * Made by reed switch for reliable
- * High-impact white plastic case
- * Wire range for Screw terminals:
18AWG~24AWG
- * Colors: White

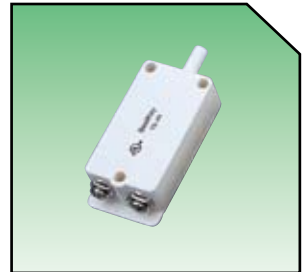
TS-01



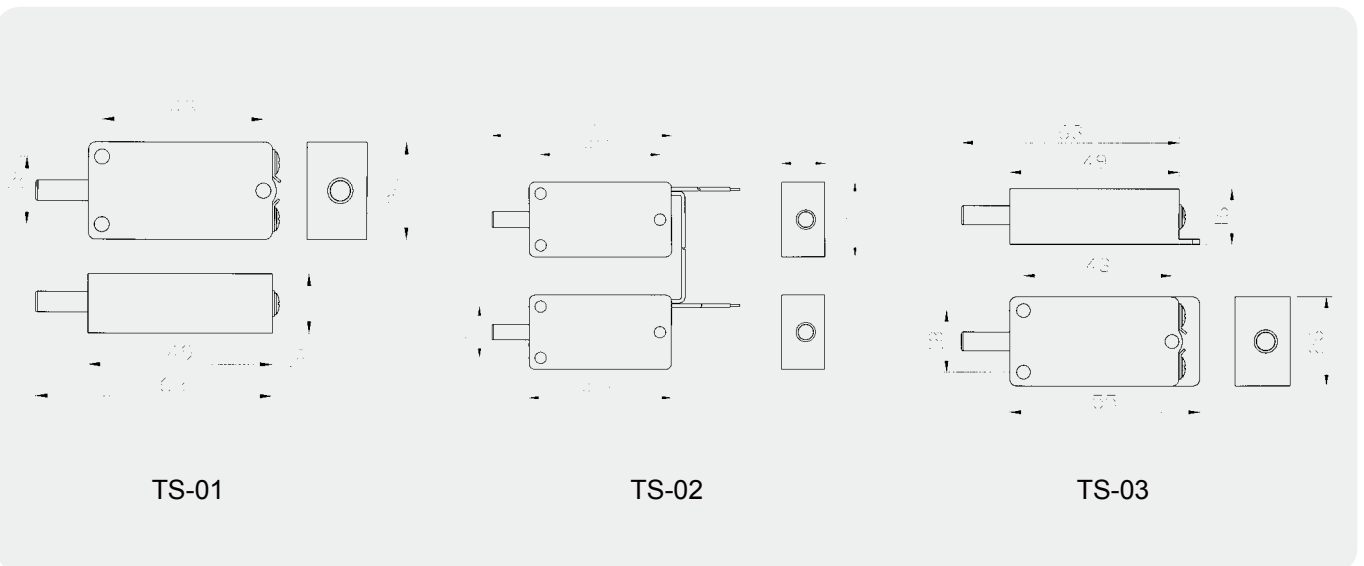
TS-02



TS-03



Dimension (mm):



Order Information:

Part Number	Loop Type	Reed Form	Gap (total travel) [Inch(mm)]	Maximum Initial Contact Resistance (Ohm)	Maximum Contact Rating (W)	Maximum Switching Voltage (VDC/VAC)	Maximum Switching Current (A)
TS-01	Closed	N/O	1/2 (12)	0.150	10	100	0.5
TS-02	Closed	N/O	1/2 (12)	0.150	10	100	0.5
TS-03	Closed	N/O	1/2 (12)	0.150	10	100	0.5

Note: 1. Total Travel: .472 inch (12.0mm) Pre Travel: .236+/- .04 inch (6.00+/-1.00mm)
2. Wire range for terminals: #18~#24AWG

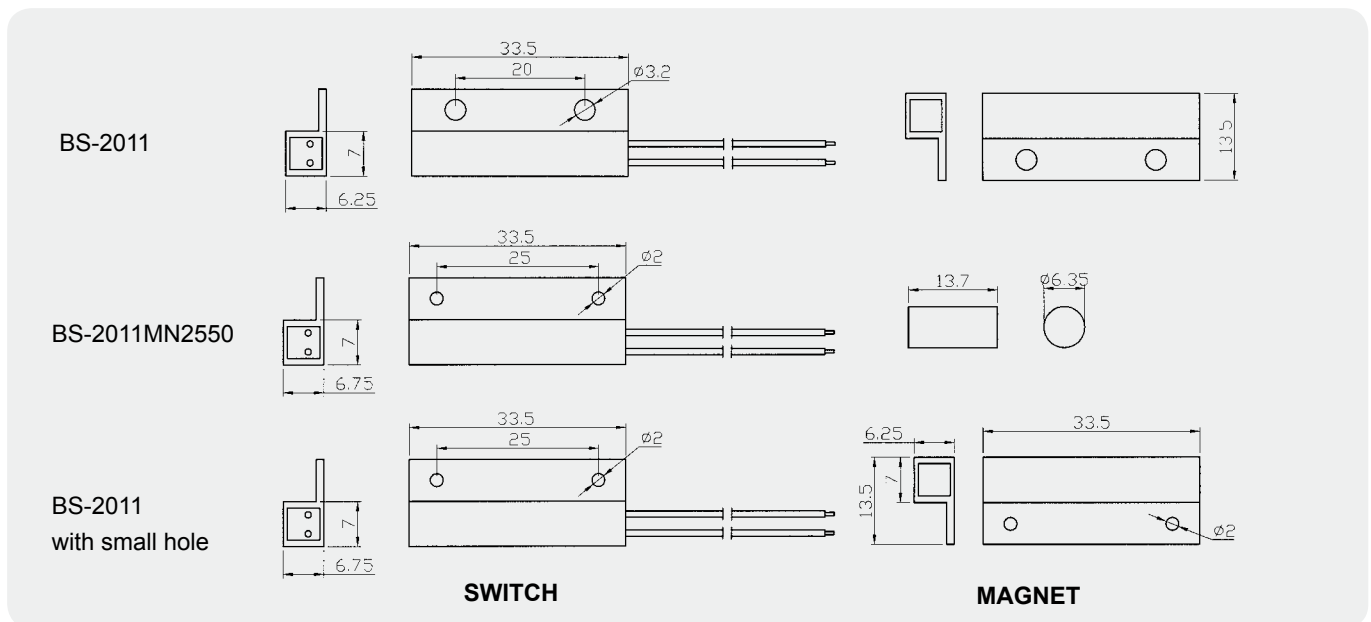
Specification: **BS-2011**

- * Mini Stick-on contact with flange
- * Side leads with #22AWG 18" length
- * Adhesive and screw mount included
- * Special leads on request
- * Switches or magnets available separately
- * Resistor, Diode and Supervisory Loop available on request
- * Colors: White, Brown, Grey
- * Without Flange (BS-2051)

... Roll Ball Switch



Dimension (mm):



Order Information:

Part Number	Loop Type	Reed Form	Closed Gap [Inch(mm)]	Departure Gap [Inch(mm)]	Maximum Initial Contact Resistance (Ohm)	Maximum Contact Rating (W)	Maximum Switching Voltage (VDC/VAC)	Maximum Switching Current (A)
BS-2011	Closed	N/O	1 (25)	1.06 (27)	0.150	10	100	0.5
BS-2011MN2550	Closed	N/O	1 (25)	1.1 (28)	0.150	10	100	0.5
BS-2011WG	Closed	N/O	1 ¹ / ₄ (31)		0.150	10	100	0.5
BS-2011A	Open	N/C	1 (24)		0.150	3	30	0.2
BS-2011C	Closed & Open	SPDT	1(24)		0.150	3	30	0.2



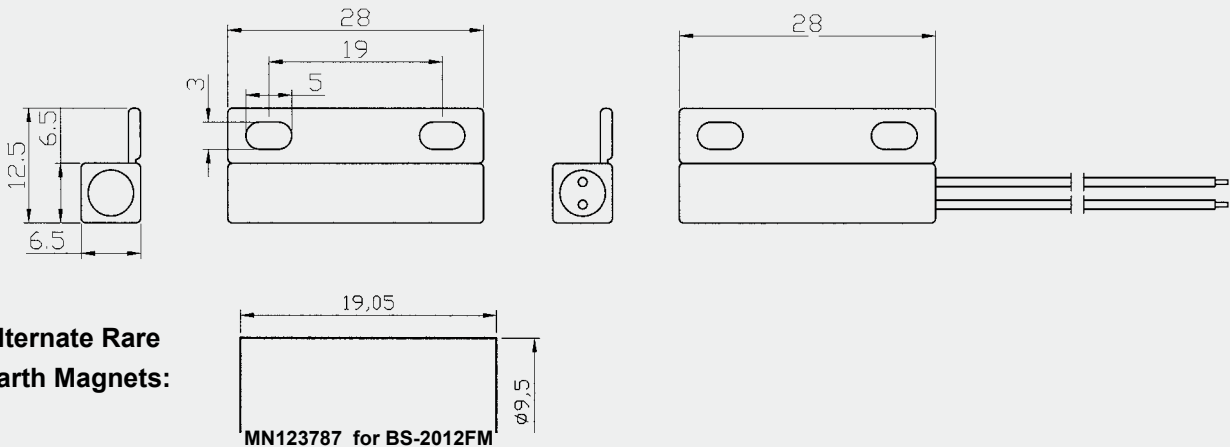
Specification: BS-2012

- * Mini Stick-on contact with flange
- * Side leads with #24AWG 18" length
- * Adhesive and screw mount included
- * Speical leads on request
- * Switches or magnets available seperately
- * Resistor, Diode and Supervisory Loop available on request
- * Colors: White, Brown, Grey

... Surface Mounted



Dimension (mm):



Order Information:

Part Number	Loop Type	Reed Form	Closed Gap [Inch(mm)] (Ohm)	Depature Gap [Inch(mm)] (W)	Maximum Initial Contact Resistance (VDC/VAC)	Maximum Contact Rating (A)	Maximum Switching Voltage	Maximum Switching Current
BS-2012	Closed	N/O	1 (24)	1.15 (29)	0.150	10	100	0.5
BS-2012FM	Closed	N/O	1 (25)	1.1 (28)	0.150	10	100	0.5
BS-2012A	Open	N/C	3/4 (19)		0.150	3	30	0.2
BS-2012C	Closed & Open	SPDT	3/4 (19)		0.150	3	30	0.2



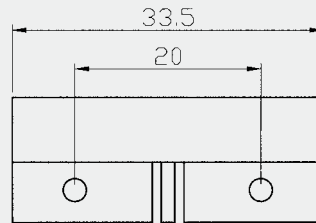
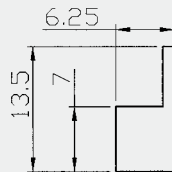
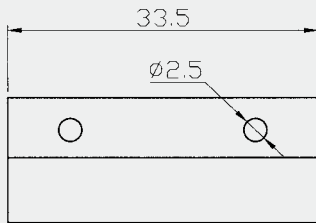
Specification: BS-2021

- * Mini Stick-on contact with flange
- * Center leads with #22AWG 18" length
- * Adhesive and screw mount included
- * Longer leads on request
- * Switches or magnets available separately
- * Resistor, Diode and Supervisory Loop available on request
- * Colors: White, Brown, Grey
- * Without Flange (BS-2024)

... Surface Mounted



Dimension (mm):



MAGNET

SWITCH

Order Information:

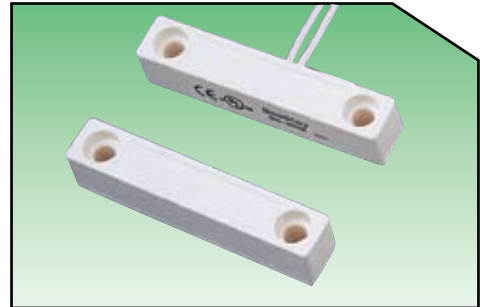
Part Number	Loop Type	Reed Form	Closed Gap [Inch(mm)]	Depature Gap [Inch(mm)]	Maximum Initial Contact Resistance (Ohm)	Maximum Contact Rating (W)	Maximum Switching Voltage (VDC/VAC)	Maximum Switching Current (A)
BS-2021	Closed	N/O	0.94 (24)	1.02 (26)	0.150	10	100	0.5
BS-2021A	Open	N/C	1 (24)		0.150	3	30	0.2
BS-2021C	Close&Open	SPDT	1 (24)		0.150	3	30	0.2



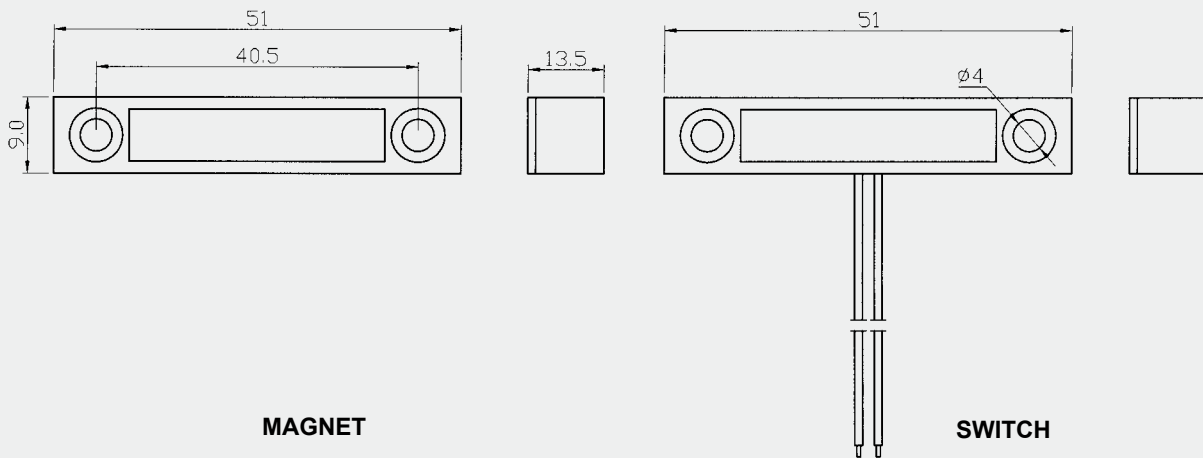
Specification: BS-2022

- * Screw mount or self adhesive
- * Center leads with #22AWG 18" length
- * Special leads on request
- * Spacer, Cover or Tape available on request
- * Switches or magnets available separately
- * Resistor, Diode and Supervisory Loop available on request
- * Colors: White, Brown, Grey

... Surface Mounted



Dimension (mm):



Order Information:

Part Number	Loop Type	Reed Form	Closed Gap [Inch(mm)] (Ohm)	Depature Gap [Inch(mm)] (W)	Maximum Initial Contact Resistance (VDC/VAC)	Maximum Contact Rating (A)	Maximum Switching Voltage	Maximum Switching Current
BS-2022	Closed	N/O	1.18 (30)	1.3 (33)	0.150	10	100	0.5
BS-2022WG	Closed	N/O	1.45 (37)	1.53 (39)	0.150	10	100	0.5
BS-2022A	Open	N/C	1 ¹ / ₈ (28)		0.150	3	30	0.2
BS-2022C	Closed & Open	SPDT	1 ¹ / ₈ (28)		0.150	3	30	0.2



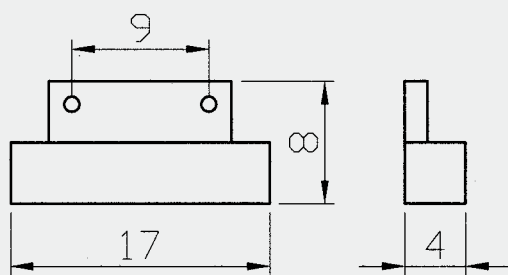
Specification: **BS-2023**

- * Ultra miniature switch
- * Super tape included
- * Center leads with #24AWG 18" length
- * Longer leads on request
- * Switches or magnets available seperately
- * Colors: Brown, Grey, White

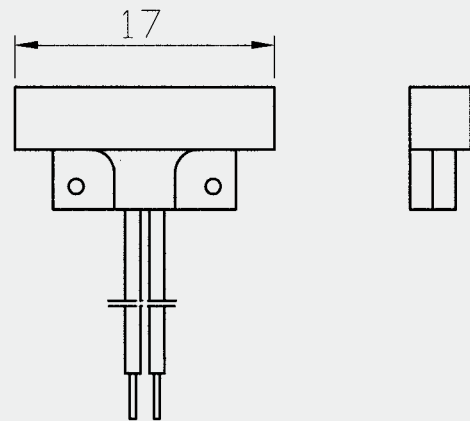
... Surface Mounted



Dimension (mm):



MAGNET



SWITCH

Order Information:

Part Number	Loop Type	Reed Form	Closed Gap [Inch(mm)]	Departure Gap [Inch(mm)]	Maximum Initial Contact Resistance (Ohm)	Maximum Contact Rating (W)	Maximum Switching Voltage (VDC/VAC)	Maximum Switching Current (A)
BS-2023	Closed	N/O	0.45 (12)	0.5 (13)	0.150	10	100	0.5

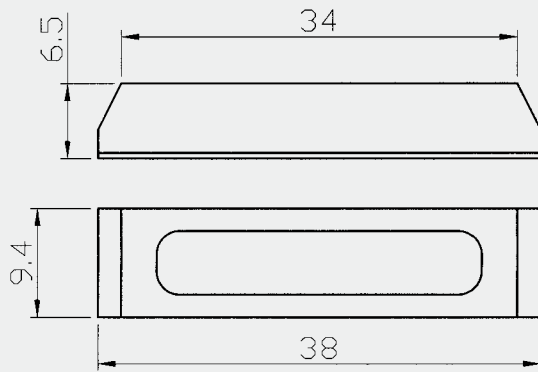
Specification: BS-2024

- * Surface mounted contact without flange
- * Center leads with #22AWG 18" length
- * Super adhesive: VHB tape
- * Special leads on request
- * Switches or magnets available separately
- * Resistor, Diode and Supervisory Loop available on request
- * Colors: White, Brown, Grey

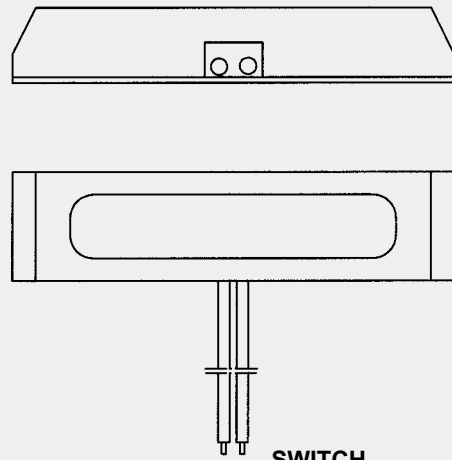
... Surface Mounted



Dimension (mm):



MAGNET



SWITCH

Order Information:

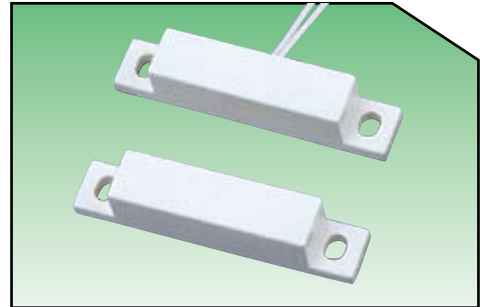
Part Number	Loop Type	Reed Form	Closed Gap [Inch(mm)]	Depature Gap [Inch(mm)]	Maximum Initial Contact Resistance (Ohm)	Maximum Contact Rating (W)	Maximum Switching Voltage (VDC/VAC)	Maximum Switching Current (A)
BS-2024	Closed	N/O	0.95 (24)	1.05 (26)	0.150	10	100	0.5
BS-2024A	Open	N/C	1 (23)		0.150	3	30	0.2
BS-2024C	Closed & Open	SPDT	1 (23)		0.150	3	30	0.2



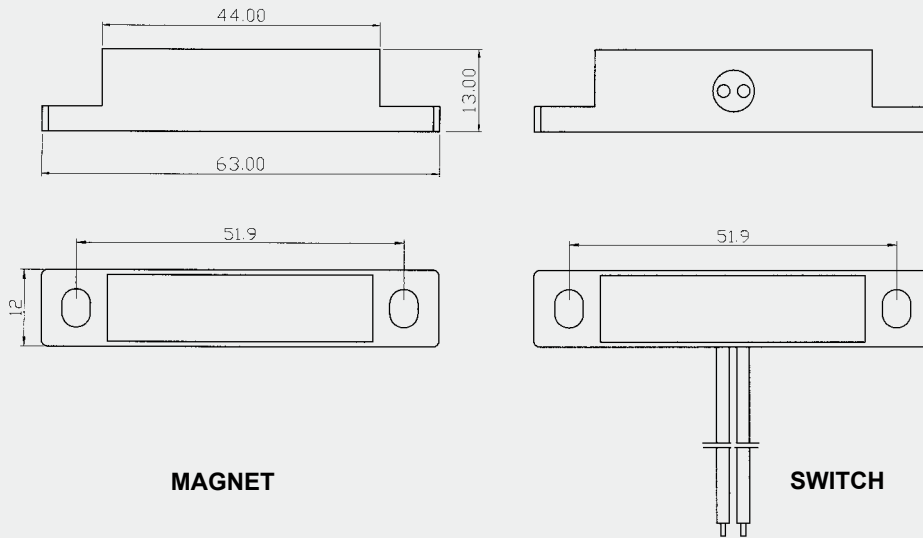
Specification: **BS-2025**

- * Surface mounted contact
- * Center leads with #22AWG 18" length
- * Screw mount
- * Special leads on request
- * Switches or magnets available separately
- * Resistor, Diode and Supervisory Loop available on request
- * Colors: White, Brown, Grey

... Surface Mounted



Dimension (mm):



Order Information:

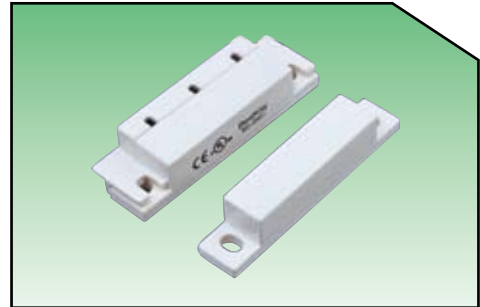
Part Number	Loop Type	Reed Form	Closed Gap [Inch(mm)]	Depature Gap [Inch(mm)]	Maximum Initial Contact Resistance (Ohm)	Maximum Contact Rating (W)	Maximum Switching Voltage (VDC/VAC)	Maximum Switching Current (A)
BS-2025	Closed	N/O	1 ¹ / ₄ (31)	1.38 (34)	0.150	10	100	0.5
BS-2025A	Open	N/C	1 (25)		0.150	3	30	0.2
BS-2025C	Closed & Open	SPDT	1 (25)		0.150	3	30	0.2



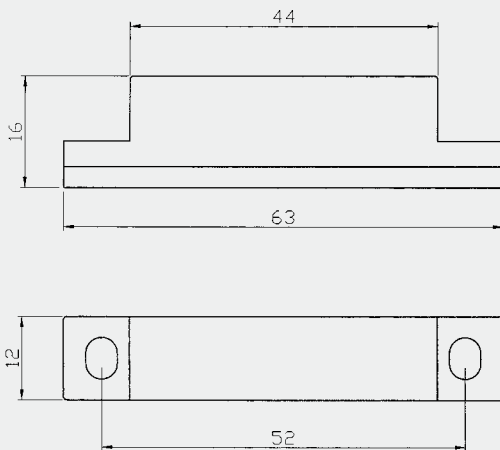
Specification: **BS-2031**

- * Screw mount Concealed terminals
- * Spacers, cover and screws included
- * Switches or magnets available seperately
- * Resistor, Diode and Supervisory Loop available on request
- * With lead available: BS-2025
- * Colors: White, Brown, Grey

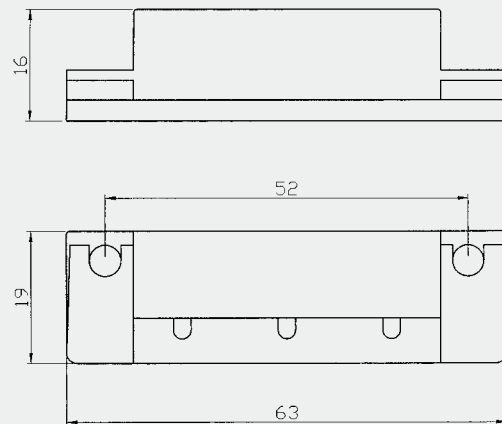
... Surface Mounted



Dimension (mm):



MAGNET



SWITCH

Order Information:

Part Number	Loop Type	Reed Form	Closed Gap [Inch(mm)]	Departure Gap [Inch(mm)]	Maximum Initial Contact Resistance (Ohm)	Maximum Contact Rating (W)	Maximum Switching Voltage (VDC/VAC)	Maximum Switching Current (A)
BS-2031	Closed	N/O	1.2 (30)	1.3 (33)	0.150	10	100	0.5
BS-2031A	Open	N/C	1 ¹ / ₄ (31)		0.150	3	30	0.2
BS-2031C	Closed	SPDT	1 ¹ / ₄ (30)		0.150	3	30	0.2

Note: Wire range for terminal: #18~#24AWG

Specification:

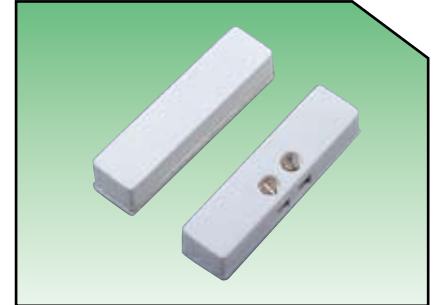
- * Quick connect terminal block
- * Adhesive and screws mount
- * Breakaway flanges
- * Easy installaion
- * Switches or magnets available seperately
- * Colors: White, Brown, Grey
- * Without tabs on side (BS-2032OT)

... Surface Mounted

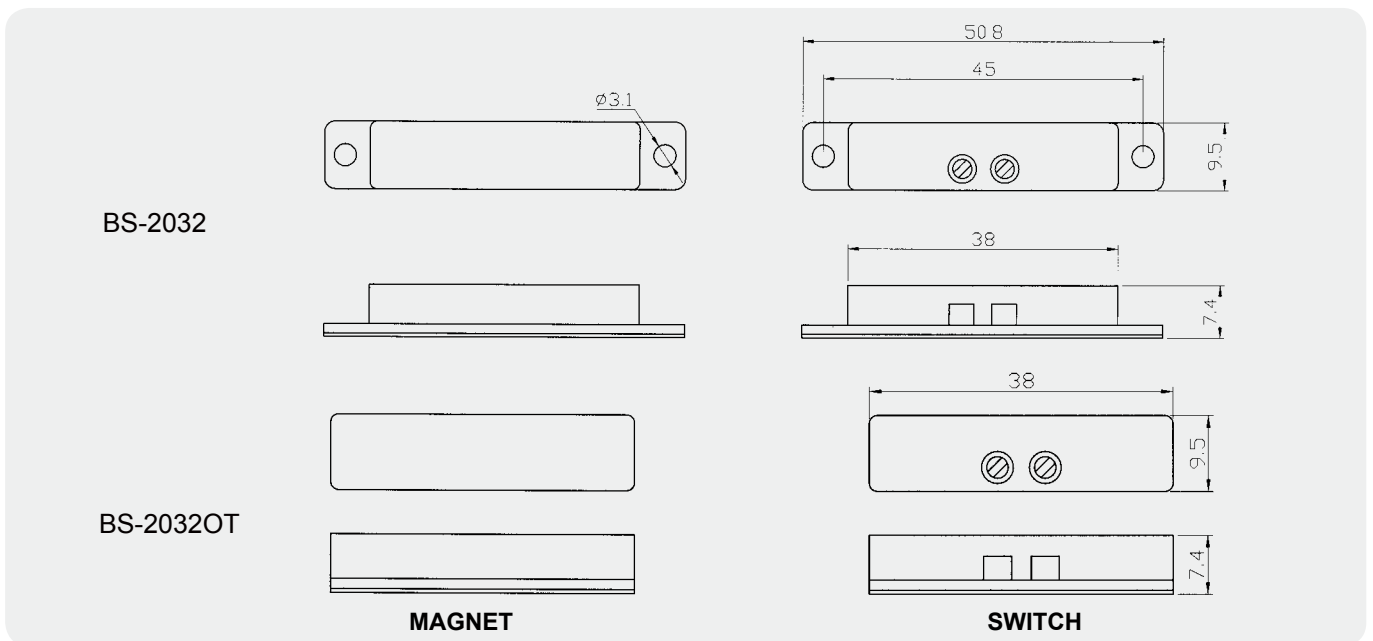
BS-2032



BS-2032OT



Dimension (mm):



Order Information:

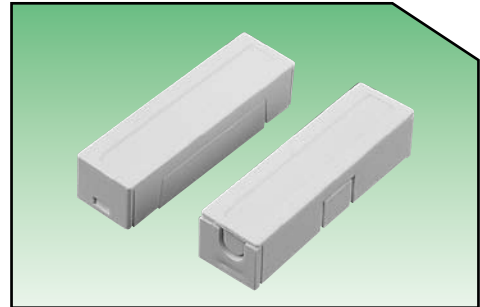
Part Number	Loop Type	Reed Form	Closed Gap [Inch(mm)]	Depature Gap [Inch(mm)]	Maximum Initial Contact Resistance (Ohm)	Maximum Contact Rating (W)	Maximum Switching Voltage (VDC/VAC)	Maximum Switching Current (A)
BS-2032(OT)	Closed	N/O	0.95 (24)	1.06 (27)	0.150	10	100	0.5
BS-2032A(OT)	Open	N/C	1 (25)		0.150	3	30	0.2

Note: 1. Wide gap 1 1/4" available 2. Wire range for terminal: #20~#24AWG

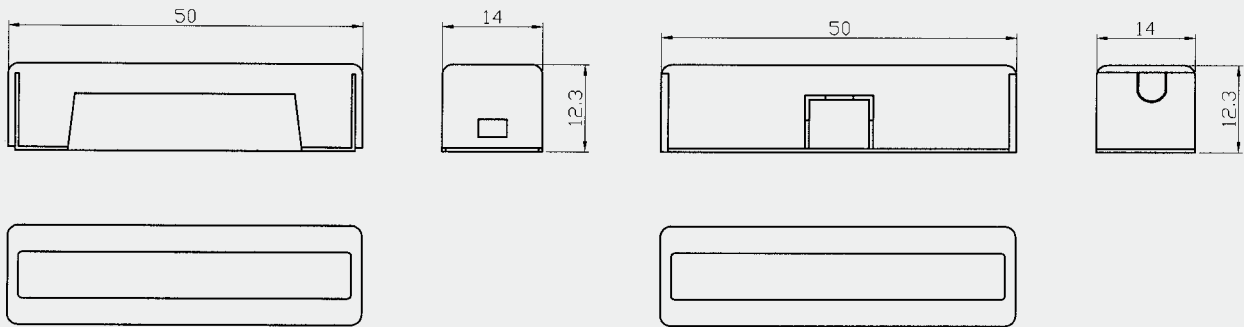
Specification: **BS-2033**

- * Screw mount
- * Attractive cover keeps mounting screws and terminal screws hidden
- * Concealed or surface wiring
- * Switches or magnets available seperately
- * Colors: White, Brown, Grey

••• Surface Mounted



Dimension (mm):



MAGNET

SWITCH

Order Information:

Part Number	Loop Type	Reed Form	Closed Gap [Inch(mm)]	Depature Gap [Inch(mm)]	Maximum Initial Contact Resistance (Ohm)	Maximum Contact Rating (W)	Maximum Switching Voltage (VDC/VAC)	Maximum Switching Current (A)
BS-2033	Closed	N/O	1.2 (30)	1.4 (36)	0.150	10	100	0.5
BS-2033A	Open	N/C	1 ¹ / ₈ (28)		0.150	3	30	0.2
BS-2033C	Closed&Open	SPDT	1 ¹ / ₈ (28)		0.150	3	30	0.2

Note: Wire range for terminal: #20~#24AWG

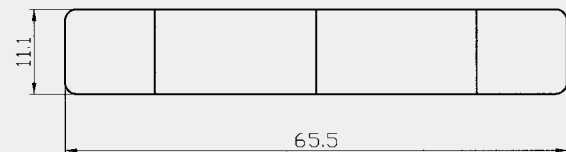
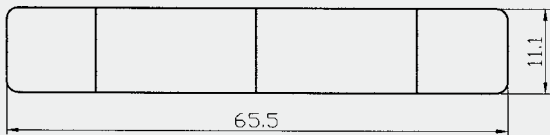
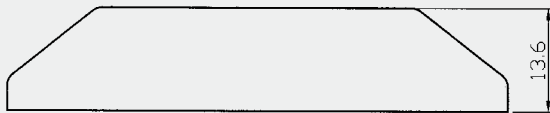
Specification: **BS-2034**

- * Screw mount
- * Attractive cover keeps mounting screws and terminal screws hidden
- * Concealed or surface wiring
- * Switches or magnets available separately
- * Colors: White, Brown, Grey

... Surface Mounted



Dimension (mm):



MAGNET

SWITCH

Order Information:

Part Number	Loop Type	Reed Form	Closed Gap [Inch(mm)]	Departure Gap [Inch(mm)]	Maximum Initial Contact Resistance (Ohm)	Maximum Contact Rating (W)	Maximum Switching Voltage (VDC/VAC)	Maximum Switching Current (A)
BS-2034	Closed	N/O	1 (25)	1.2 (30)	0.150	10	100	0.5
BS-2034WG	Closed	N/O	1 ¹ / ₄ (31)		0.150	10	100	0.5
BS-2034A	Open	N/C	³ / ₄ (19)		0.150	3	30	0.2

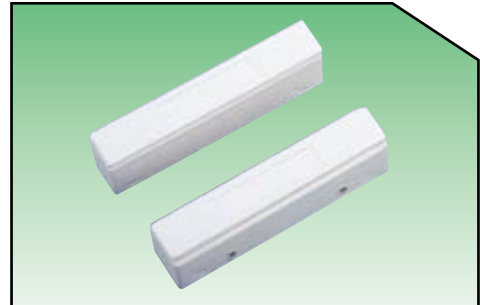
Note: Wire range for terminal: #20~#24AWG



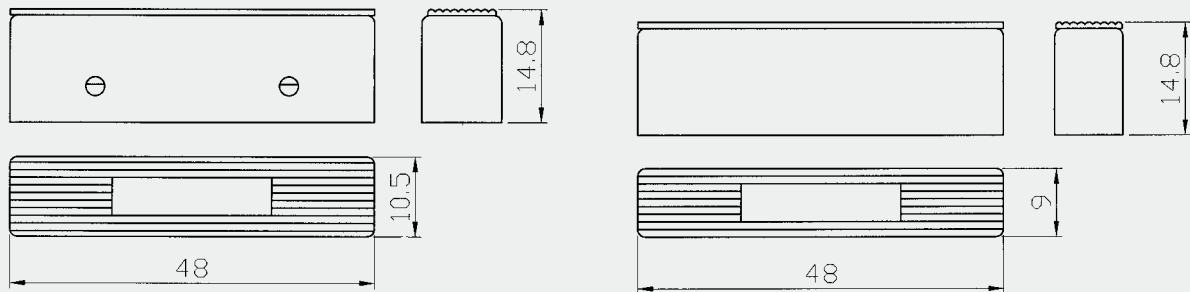
Specification: **BS-2035**

- * Screw mount
- * Terminal screws hidden with cover
- * Concealed or surface wiring
- * Adhesive tape available on request
- * Covers and Screws included
- * Switches or magnets available seperately
- * Colors: White, Brown, Grey

... Surface Mounted



Dimension (mm):



SWITCH

MAGNET

Order Information:

Part Number	Loop Type	Reed Form	Closed Gap [Inch(mm)]	Depature Gap [Inch(mm)]	Maximum Initial Contact Resistance (Ohm)	Maximum Contact Rating (W)	Maximum Switching Voltage (VDC/VAC)	Maximum Switching Current (A)
BS-2035	Closed	N/O	1.2 (30)	1.3 (33)	0.150	10	100	0.5
BS-2035A	Open	N/C	1 (25)		0.150	3	30	0.2

Note: 1. Torque: 4.4 lbf-in (5kgf-cm)

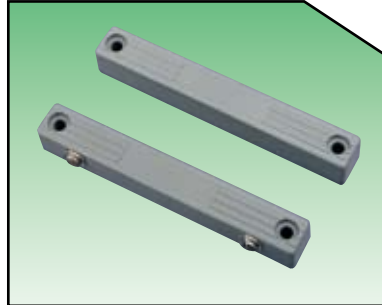
2. Wire range for terminal: #20~#24AWG

Specification:

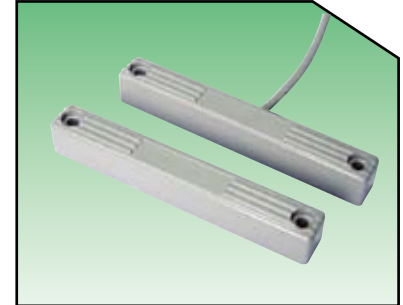
- * Idea for Industrial or Commercial use
- * Screw mount
- * Spacer included
- * 2 conductor jacket cable on request (BSI-2041P)
- * BSI-2041P available with supervisory loop
- * Private label on request
- * BK03 bracket is available
- * Switches or magnets are available separately
- * Colors: White, Brown, Grey

... Surface Mounted

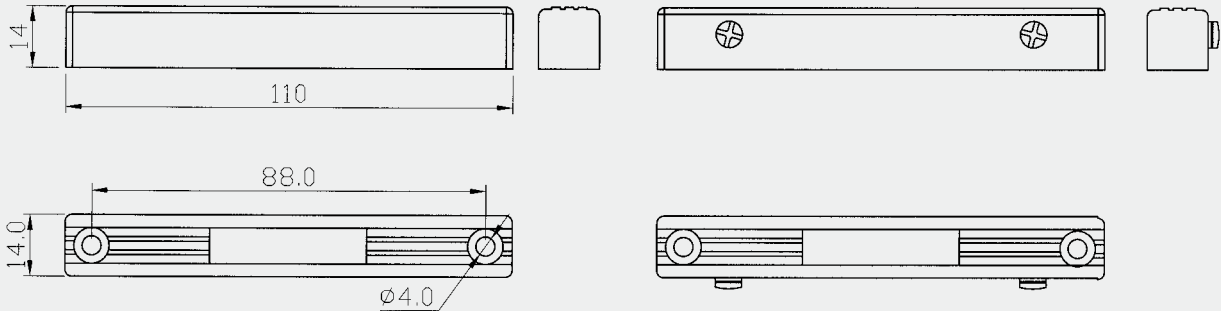
BSI-2041



BSI-2041P



Dimension (mm):



MAGNET

SWITCH

Order Information:

Part Number	Loop Type	Reed Form	Closed Gap [Inch(mm)]	Departure Gap [Inch(mm)]	Maximum Initial Contact Resistance (Ohm)	Maximum Contact Rating (W)	Maximum Switching Voltage (VDC/VAC)	Maximum Switching Current (A)
BSI-2041(P)	Closed	N/O	2 ¹ / ₂ (65)	2.75 (70)	0.150	10	100	0.5
BSI-2041A(P)	Open	N/C	2 (50)		0.150	3	30	0.2
BSI-2041PC	Closed&Open	SPDT	2 (50)		0.150	3	30	0.2

Note: Wire range for terminal: #18~#24AWG

* These magnetic contact switches shall be installed so that a door or other movable opening cannot be opened more than 2 inches (51mm) without initiating an alarm. Switches exceeding 2 inches can not be installed per UL681-the Standard for installation and Classification of Burglar and Holdup Alarm

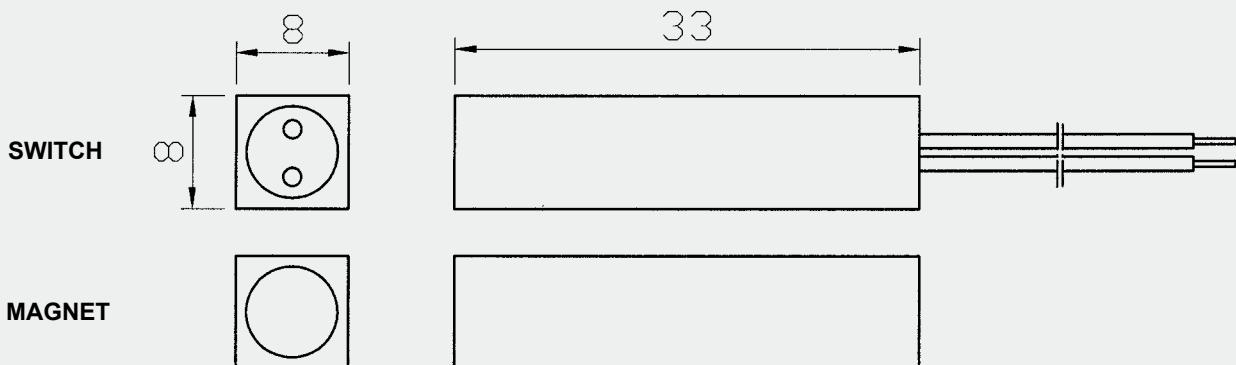
Specification: **BS-2051**

- * Stick surface mount
- * Super special adhesive
- * Standard 18" #22AWG leads
- * Speical leads available
- * Resistor, Diode and Supervisory Loop available on request
- * Colors: White, Brown, Grey

... Surface Mounted



Dimension (mm):



Order Information:

Part Number	Loop Type	Reed Form	Closed Gap [Inch(mm)]	Depature Gap [Inch(mm)]	Maximum Initial Contact Resistance (Ohm)	Maximum Contact Rating (W)	Maximum Switching Voltage (VDC/VAC)	Maximum Switching Current (A)
BS-2051	Closed	N/O	1 (25)	1.07 (27)	0.150	10	100	0.5
BS-2051A	Open	N/C	1 (25)		0.150	3	30	0.2
BS-2051C	Closed & Open	SPDT	1 (25)		0.150	3	30	0.2



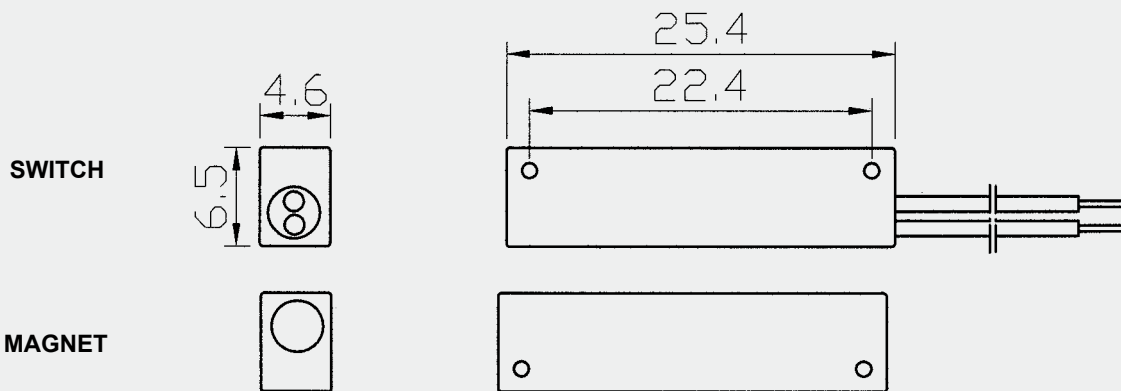
Specification: **BS-2061**

- * Super stick miniature switch
- * Super special adhesive or nails for mounting
- * Standard 18" #22AWG leads
- * Longer leads available
- * Switches or magnets are available separately
- * Colors: White, Brown, Grey

... Surface Mounted



Dimension (mm):



Order Information:

Part Number	Loop Type	Reed Form	Closed Gap [Inch(mm)]	Departure Gap [Inch(mm)]	Maximum Initial Contact Resistance (Ohm)	Maximum Contact Rating (W)	Maximum Switching Voltage (VDC/VAC)	Maximum Switching Current (A)
BS-2061	Closed	N/O	0.47(12)	0.51(13)	0.150	10	100	0.5

Specification:

- * Metal magnetic contacts
- * Ideal for commercial application or industrial use
- * Screws included
- * Standard 18" #22AWG leads
- * 2 Conductor jacket cable on request(BS-2071J)
- * Armored cable on request (BS-2071AR)
- * Longer leads available
- * Resistor, Diode and Supervisory Loop available on request

... Surface Mounted

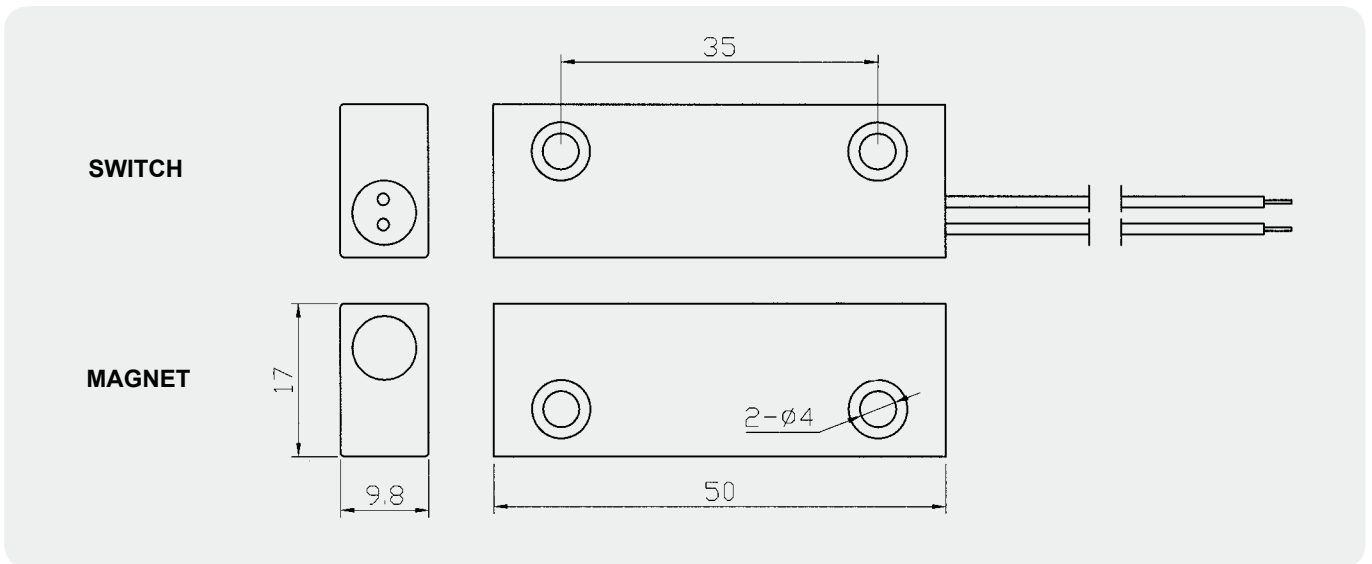
BS-2071



BS-2071AR



Dimension (mm):



Order Information:

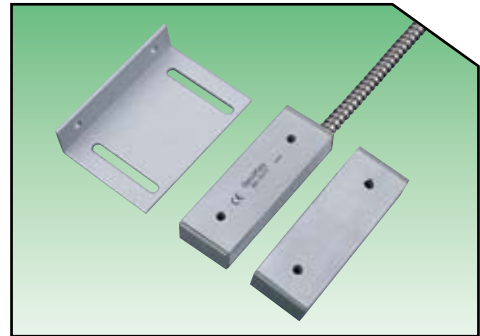
Part Number	Loop Type	Reed Form	Closed Gap [Inch(mm)]	Depature Gap [Inch(mm)]	Maximum Initial Contact Resistance (Ohm)	Maximum Contact Rating (W)	Maximum Switching Voltage (VDC/VAC)	Maximum Switching Current (A)
BS-2071(AR)	Closed	N/O	1.5 (38)	1.65 (42)	0.150	7.5	100	0.4
BS-2071A(AR)	Open	N/C	1 1/4 (32)		0.150	3	30	0.2
BS-2071C(AR)	Closed & Open	SPDT	1 1/4 (32)		0.150	3	30	0.2
BS-2071D(AR)	DPDT	2SPDT	1 1/4 (32)		0.150	3	30	0.2



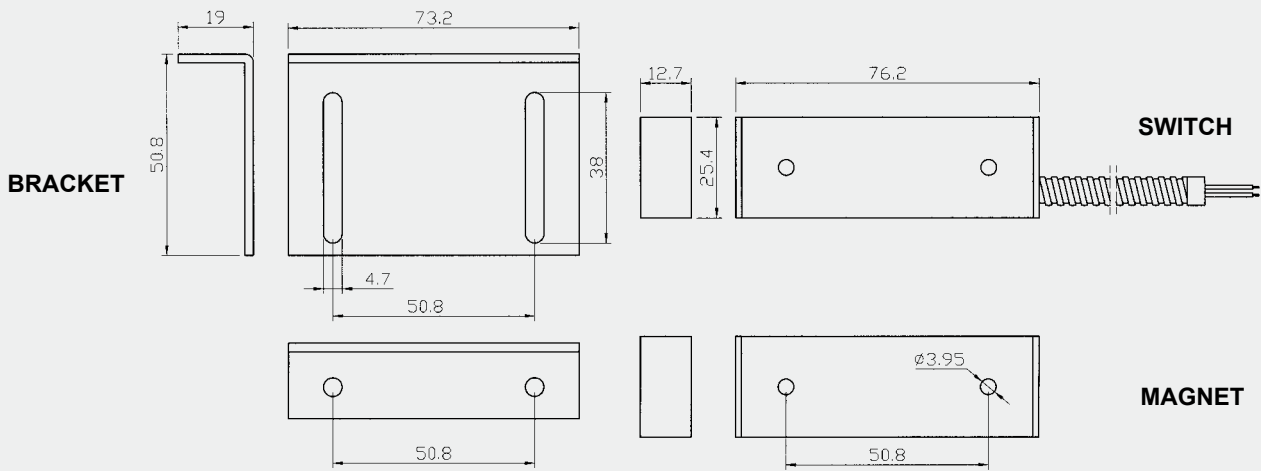
Specification: **BS-2072**

- * Metal magnetic contacts
- * Ideal for securing chain link fence
- * Bracket included
- * Longer cable available
- * Weather resistant aluminum housing
- * Switches or magnets are available separately
- * 2 Conductor jacket cable on request(BS-2072J)
- * Ideal for securing chain link fence
- * Resistor, Diode and Supervisory Loop available on request

... Surface Mounted



Dimension (mm):



Order Information:

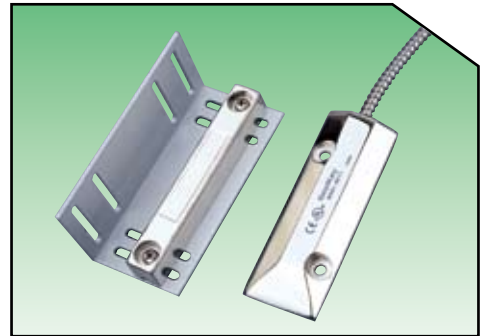
Part Number	Loop Type	Reed Form	Closed Gap [Inch(mm)]	Depature Gap [Inch(mm)]	Maximum Initial Contact Resistance (Ohm)	Maximum Contact Rating (W)	Maximum Switching Voltage (VDC/VAC)	Maximum Switching Current (A)
BS-2072	Closed	N/O	2.95 (75)	3.18 (80)	0.150	7.5	100	0.4
BS-2072WG	Closed	N/O	3 ¹ / ₂ (90)	3.75 (95)	0.150	7.5	100	0.4
BS-2072A	Open	N/C	2 ¹ / ₂ (65)		0.150	3	30	0.2
BS-2072C	Closed & Open	SPDT	2 ¹ / ₂ (65)		0.150	3	30	0.2
BS-2072D	DPDT	2SPDT	2 ¹ / ₂ (65)		0.150	3	30	0.2

* These magnetic contact switches shall be installed so that a door or other movable opening cannot be opened more than 2 inches (51mm) without initiating an alarm. Switches exceeding 2 inches can not be installed per UL681-the Standard for installation and Classification of Burglar and Holdup Alarm

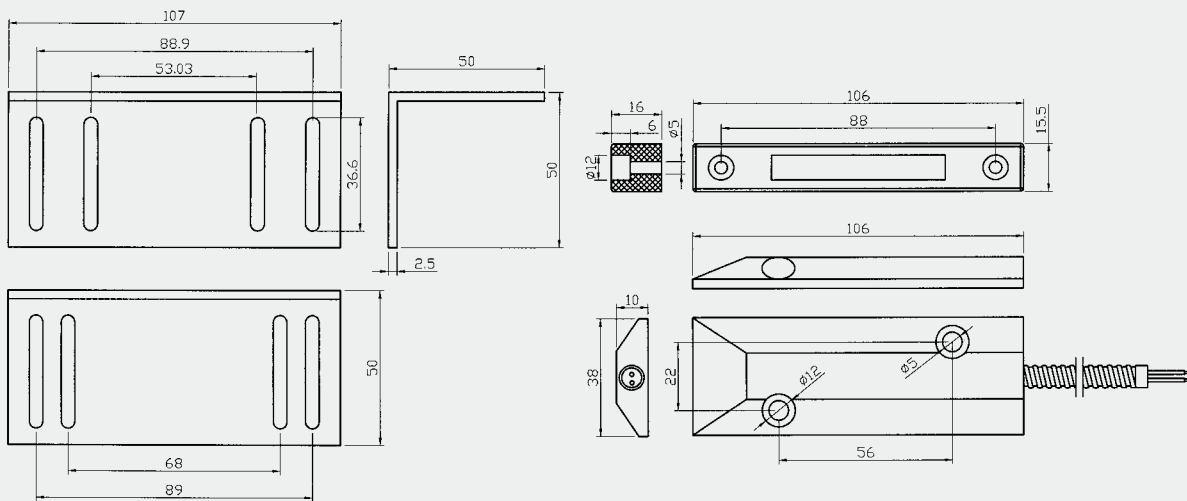
Specification: **BSD-3011**

- * Cast aluminum casting for harsh environment
- * Wire: #22AWG with 22" armored cable
- * Longer cable available on request
- * Optional " L " bracket
- * Resistor, Diode and Supervisory Loop available on request

... Overhead Door Contact



Dimension (mm):



Order Information:

Part Number	Loop Type	Reed Form	Closed Gap [Inch(mm)]	Departure Gap [Inch(mm)]	Maximum Initial Contact Resistance (Ohm)	Maximum Contact Rating (W)	Maximum Switching Voltage (VDC/VAC)	Maximum Switching Current (A)
BSD-3011	Closed	N/O	2.95 (75)	3.18 (80)	0.150	7.5	100	0.4
BSD-3011WG	Closed	N/O	3 ¹ / ₂ (90)	3.75 (95)	0.150	7.5	100	0.4
BSD-3011A	Open	N/C	2 ¹ / ₂ (65)		0.150	3	30	0.2
BSD-3011C	Closed & Open	SPDT	2 ¹ / ₂ (65)		0.150	3	30	0.2
BSD-301 1D	DPDT	2-SPDT	2 ¹ / ₂ (65)		0.150	3	30	0.2

* These magnetic contact switches shall be installed so that a door or other movable opening cannot be opened more than 2 inches (51mm) without initiating an alarm. Switches exceeding 2 inches can not be installed per UL681-the Standard for installation and Classification of Burglar and Holdup Alarm

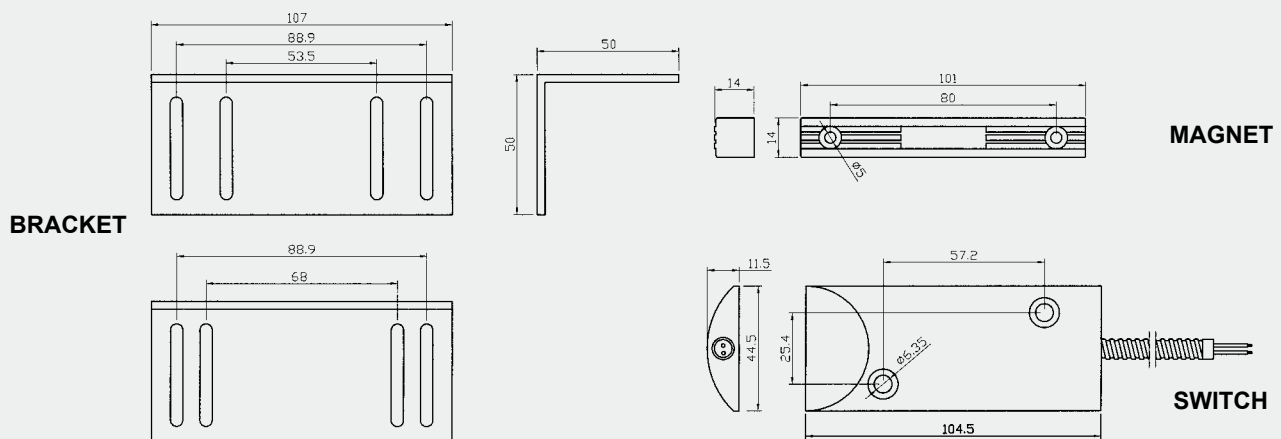
Specification: **BSD-3012**

- * Extrude aluminum case for harsh environment
- * Wire: #22AWG with 22" armored cable
- * Longer cable available on request
- * Optional " L " bracket
- * Low cost
- * Resistor, Diode and Supervisory Loop available on request

... Overhead Door Contact



Dimension (mm):



Order Information:

Part Number	Loop Type	Reed Form	Closed Gap [Inch(mm)]	Departure Gap [Inch(mm)]	Maximum Initial Contact Resistance (Ohm)	Maximum Contact Rating (W)	Maximum Switching Voltage (VDC/VAC)	Maximum Switching Current (A)
BSD-3012	Closed	N/O	2.95 (75)	3.18 (80)	0.150	7.5	100	0.4
BSD-3012WG	Closed	N/O	3 ¹ / ₂ (90)	3.75 (95)	0.150	7.5	100	0.4
BSD-3012A	Open	N/C	2 ¹ / ₂ (65)		0.150	3	30	0.2
BSD-3012C	Closed & Open	SPDT	2 ¹ / ₂ (65)		0.150	3	30	0.2
BSD-3012D	DPDT	2-SPDT	2 ¹ / ₂ (65)		0.150	3	30	0.2

* These magnetic contact switches shall be installed so that a door or other movable opening cannot be opened more than 2 inches (51mm) without initiating an alarm. Switches exceeding 2 inches can not be installed per UL681-the Standard for installation and Classification of Burglar and Holdup Alarm

Specification:

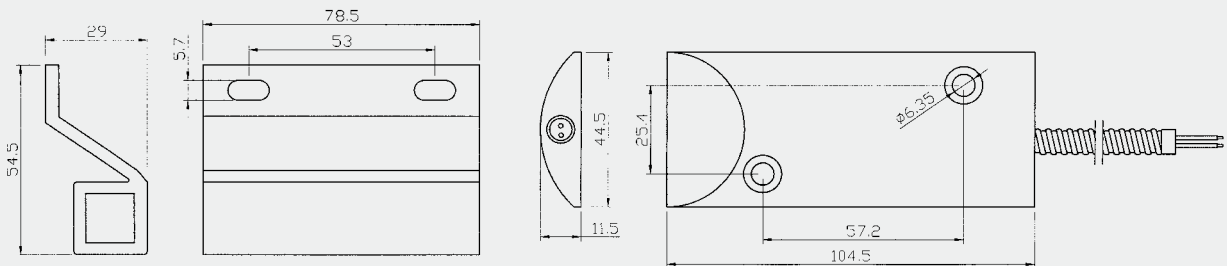
BSD-3013

- * Miniature floor mount
- * Universal magnet for flexibility in mounting
- * Extrude aluminum casings for harsh environments
- * Wire: #22AWG with 22" armored cable
- * Longer cable available on request
- * Switches or magnets are available separately
- * Jacket cable available: BSD3013-JK
- * Resistor, Diode and Supervisory Loop available on request\

... **Overhead Door Contact**



Dimension (mm):



MAGNET

SWITCH

Order Information:

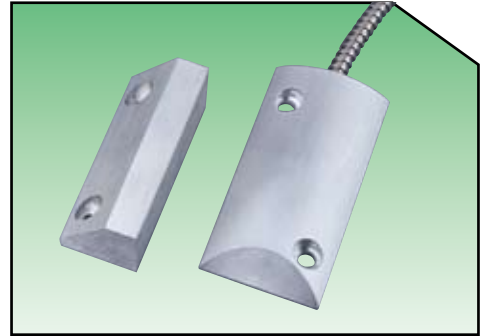
Part Number	Loop Type	Reed Form	Closed Gap [Inch(mm)]	Depature Gap [Inch(mm)] (Ohm)	Maximum Initial Contact Resistance (W)	Maximum Contact Rating (VDC/VAC)	Maximum Switching Voltage (A)	Maximum Switching Current
BSD-3013	Closed	N/O	2.95 (75)	3.18 (80)	0.150	7.5	100	0.4
BSD-3013WG	Closed	N/O	3 ¹ / ₂ (90)	3.75 (95)	0.150	7.5	100	0.4
BSD-3013A	Open	N/C	2 ¹ / ₂ (65)		0.150	3	30	0.2
BSD-3013C	Closed & Open	SPDT	2 ¹ / ₂ (65)		0.150	3	30	0.2
BSD-3013D	DPDT	2-SPDT	2 ¹ / ₂ (65)		0.150	3	30	0.2

* These magnetic contact switches shall be installed so that a door or other movable opening cannot be opened more than 2 inches (51mm) without initiating an alarm. Switches exceeding 2 inches can not be installed per UL681-the Standard for installation and Classification of Burglar and Holdup Alarm

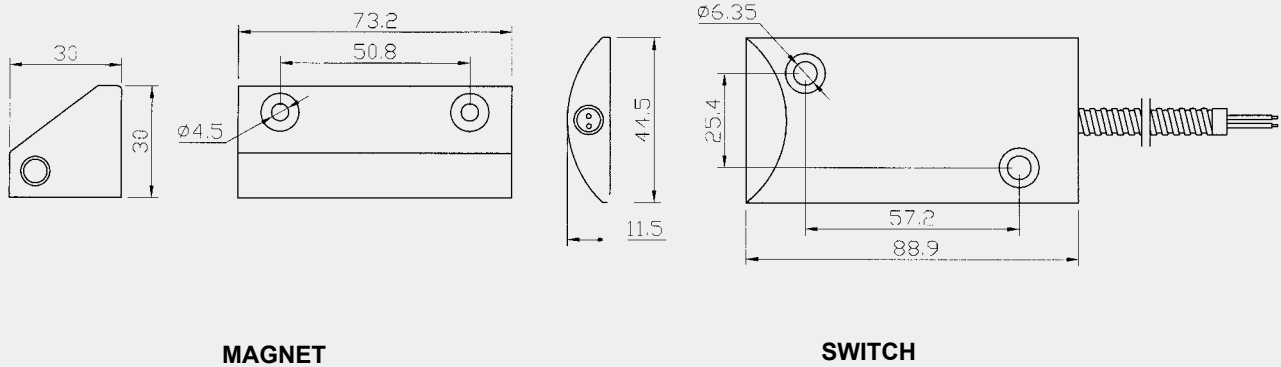
Specification: **BSD-3014**

- * Low Cost
- * Heavy duty Aluminum housing
- * Extrude aluminum casings for harsh environments
- * Wire: #22AWG with 22" armored cable
- * Longer cable available on request
- * Switches or magnets are available separately
- * Jacket cable available: BSD3014-J
- ** Optional "L" bracket
- * Resistor, Diode and Supervisory Loop available on request

Overhead Door Contact



Dimension (mm):



Order Information:

Part Number	Loop Type	Reed Form	Closed Gap [Inch(mm)]	Depature Gap [Inch(mm)] (Ohm)	Maximum Initial Contact Resistance (W)	Maximum Contact Rating (VDC/VAC)	Maximum Switching Voltage (A)	Maximum Switching Current
BSD-3014	Closed	N/O	2.95 (75)	3.18 (80)	0.150	7.5	100	0.4
BSD-3014WG	Closed	N/O	3 ¹ / ₂ (90)	3.75 (95)	0.150	7.5	100	0.4
BSD-3014A	Open	N/C	2 ¹ / ₂ (65)		0.150	3	30	0.2
BSD-3014C	Closed & Open	SPDT	2 ¹ / ₂ (65)		0.150	3	30	0.2
BSD-3014D	DPDT	2-SPDT	2 ¹ / ₂ (65)		0.150	3	30	0.2

* These magnetic contact switches shall be installed so that a door or other movable opening cannot be opened more than 2 inches (51mm) without initiating an alarm. Switches exceeding 2 inches can not be installed per UL681-the Standard for installation and Classification of Burglar and Holdup Alarm

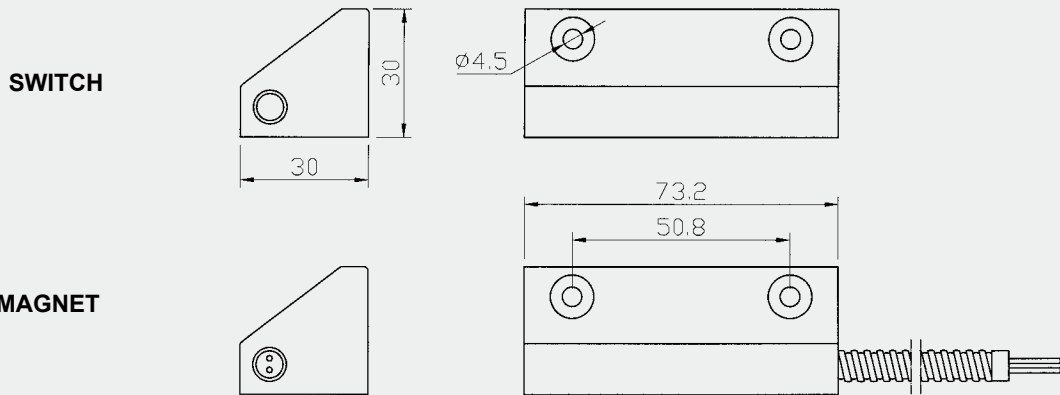
Specification: **BSD-3015**

- * Small size
- * Heavy duty Aluminum housing
- * Extrude aluminum casings for harsh environments
- * Wire: #22AWG with 22" armored cable
- * Longer cable available on request
- * Switches or magnets are available separately
- * Jacket cable available: BSD3015-J
- * Resistor, Diode and Supervisory Loop available on request

Overhead Door Contact



Dimension (mm):


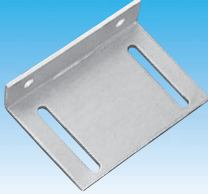
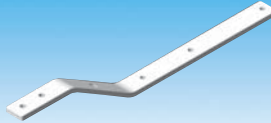
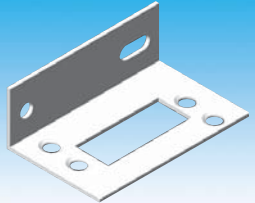


Order Information:

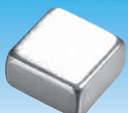

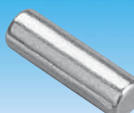
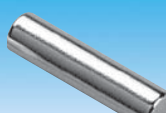
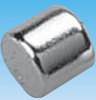
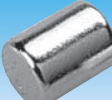
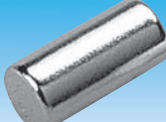
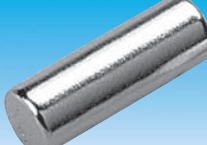



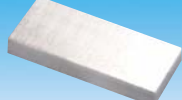
Part Number	Loop Type	Reed Form	Closed Gap [Inch(mm)]	Depature Gap [Inch(mm)] (Ohm)	Maximum Initial Contact Resistance (W)	Maximum Contact Rating (VDC/VAC)	Maximum Switching Voltage (A)	Maximum Switching Current
BSD-3015	Closed	N/O	2.95 (75)	3.18 (80)	0.150	7.5	100	0.4
BSD-3015WG	Closed	N/O	3 ¹ / ₂ (90)	3.75 (95)	0.150	7.5	100	0.4
BSD-3015A	Open	N/C	2 ¹ / ₂ (65)		0.150	3	30	0.2
BSD-3015C	Closed & Open	SPDT	2 ¹ / ₂ (65)		0.150	3	30	0.2
BSD-3015D	DPDT	2-SPDT	2 ¹ / ₂ (65)		0.150	3	30	0.2



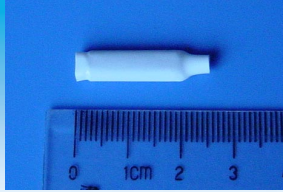
* These magnetic contact switches shall be installed so that a door or other movable opening cannot be opened more than 2 inches (51mm) without initiating an alarm. Switches exceeding 2 inches can not be installed per UL681-the Standard for installation and Classification of Burglar and Holdup Alarm



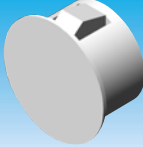

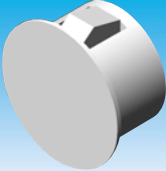


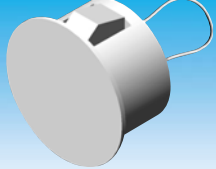
Bracket

BK01	BK02	BK03	BK04
			

Bare Neodymium Magnet

<p>MN2525 (1/4" square rare earth magnet)</p> 	<p>MN2550 (Dia. 1/4" x L 1/2" rare earth magnet)</p> 	<p>MN2537 (Dia. 1/4" x L 3/4" rare earth magnet)</p> 	<p>MN25100 (Dia. 1/4" x L 1" rare earth magnet)</p> 
<p>MN3725 (Dia. 3/8" x L 1/4" rare earth magnet)</p> 	<p>MN37375 (Dia. 3/8" x L 3/8" rare earth magnet)</p> 	<p>MN3750 (Dia. 3/8" x L 1/2" rare earth magnet)</p> 	<p>MN3775 (Dia. 3/8" x L 3/4" rare earth magnet)</p> 
<p>MN5025 (Dia. 1/2" x L 1/4" rare earth magnet)</p> 	<p>MN400 (Dia. 3/8" x L 1/2" Screw hole rare earth donut magnet)</p> 	<p>MN600 (Dia. 3/5" Screw hole rare earth donut magnet)</p> 	<p>MN123787 (1/8" x 3/8" x 7/8" flat rare earth magnet with VHB tape)</p> 

RJ 31 block	RJ 31 Kit	B Connector	
			

PWP250 (1/4" Dia. pre-wire plug)	PWP375 (3/8" Dia. pre-wire plug)	PWP500 (1/2" Dia. pre-wire plug)	PWP750 (3/4" Dia. pre-wire plug)
			
PWPL1000 (1" Dia. pre-wire plug)	PWPL250 (1/4" Dia. pre-wire plug with loop for wire)	PWPL375 (3/8" Dia. pre-wire plug with loop for wire)	PWPL750 (3/4" Dia. pre-wire plug with loop for wire)
			
PWPL1000 (1" Dia. pre-wire plug with loop for wire)	PWPR (1" Dia. pre-wire plug for 3/8" recessed switch)		
