

# IS1000



CE EN 54-3  
EN 54-23



0051  
0051-CPR-1318  
0051-CPR-1319

## VISUAL/AUDIBLE ALARM INDICATORS, CEILING MOUNT



IS1010  
IS1030

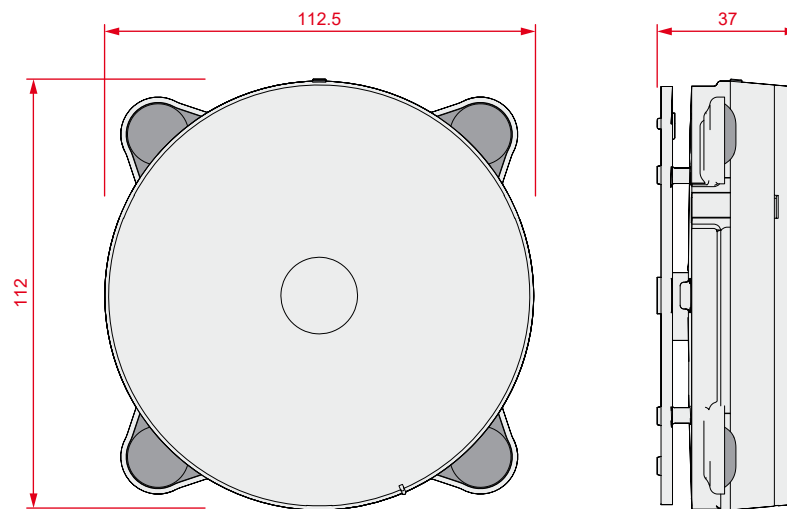


IS1020  
IS1050

Visual/audible-alarm indicators with voice functions, operate at 18 to 30 Vdc, IP21 protection rated.

The use of the EITK2000 manual programmer allows selection of the alarm tone from the 14 tones available, the adjustment of the volume and the flasher intensity (only for models with visual alarm indicators).

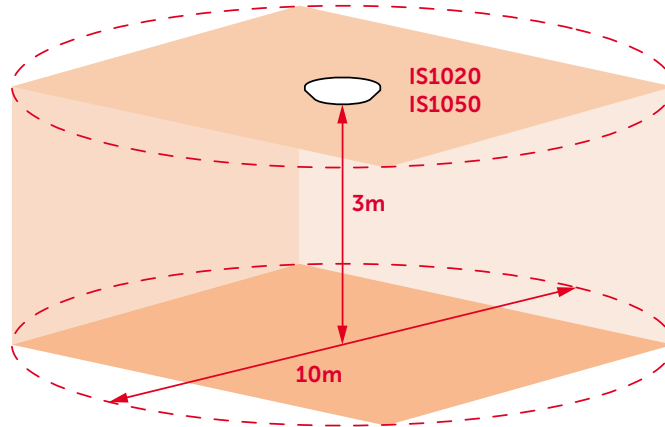
For models with the voice alarm function, besides the 14 tones, it is also possible to choose from the 16 voice messages available in 8 different languages. The EITK2000 also provides the customization of tones and voice messages.



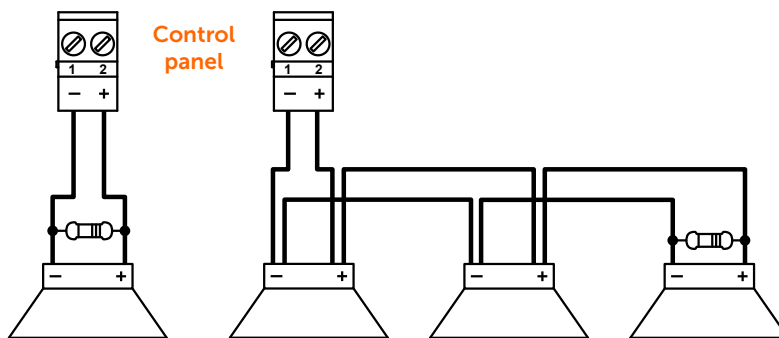
### Main features

	IS1010	IS1020	IS1030	IS1050
Operating voltage	from 18 to 30V <sup>DC</sup>			
Stand-by current draw	200µA			
Maximum current draw	25mA	40mA	25mA	40mA
Installation method	ceiling mount			
Maximum installation height	-	3m	-	3m
Light coverage according to EN54-23	-	C 3-10 O 4-10	-	C 3-10 O 4-10
Flash frequency	-	0.5Hz	-	0.5Hz
Flash color	-	White	-	White
Number of selectable tones	14		104	
Sound pressure at 1mt	98dB			
IP Protection grade	IP21			
Operating temperature	from -10 to 55°C			
Synchronization	Yes			
Multicolor indicating LED	Yes			
Dimensions	112 x 112.5 x 37mm			
Weight	155g	175g	155g	175g

## FLASH COVERAGE VOLUME



## CONFIGURATION DIAGRAM



## ORDER CODES

- IS1010** Audible alarm indicator
- IS1020** Visual/Audible alarm indicator
- IS1030** Audible alarm indicator with voice alert
- IS1050** Visual/Audible alarm indicator with voice alert