



### D-TECT DUAL A-M Anti-Masking Motion Detector

The Dual Tech A-M is a BS8418 compliant, PIR/microwave external movement detector with anti-masking sensing, which can be used for intruder monitoring, CCTV surveillance and other alarm warning requirements.

The detector's dual technology anti-mask sensing module is equipped with one N/O and one N/C volt-free contact with a programmable beam range of up to 30 metres, avoiding boundary overspill and offering truly exceptional resistance to false alarms.

No other movement detectors are more versatile or offer such a wide range of features to enhance the detection of threats and significantly reduce the incidence of false alarms.

### PRODUCT CODES

**GJD360/A-M** Anti-Mask dual tech

#### UNIQUE FEATURES

Active infra-red sensor system to prevent mask tampering

Adjustable 180° pan and 90° tilt

Conduit adaptor available

Programmable range up to 30m

Covert sensor module

#### END USER BENEFITS

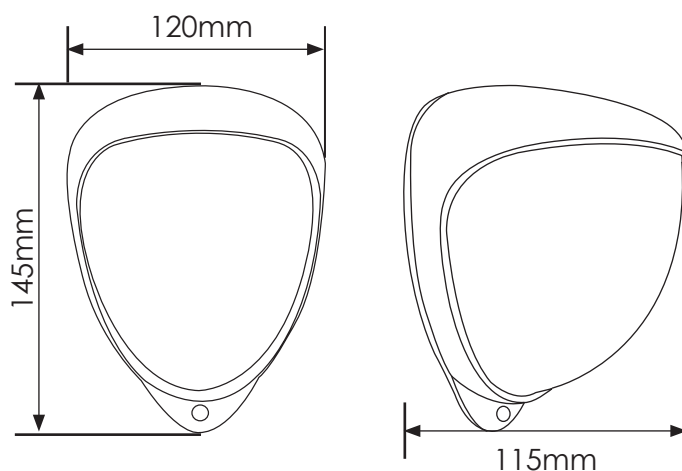
Modern design

Exceptional resistance to false alarms

Robust IP55 rated zinc alloy metal housing

Superior triple technology protection

### DIMENSIONS



## ACCESSORIES

<b>GJD304</b>	Conduit Adaptor
<b>GJD305</b>	Pole Mount Bracket
<b>GJD380</b>	Walk Tester

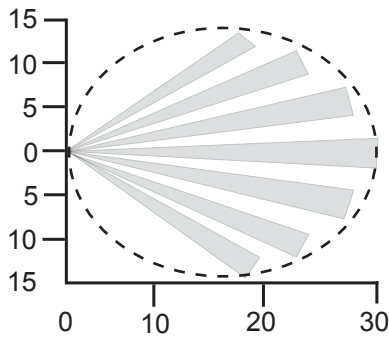
## AVAILABLE IN THE FOLLOWING APPROVED FREQUENCY CODES

D-TECT Dual is a country specific detector as it includes a microwave. For more information please email [info@gjd.co.uk](mailto:info@gjd.co.uk)

10.587GHz **UK**  
 10.525GHz  
 10.41GHz  
 9.9GHz  
 9.35GHz

Zinc alloy housing available in silver, chrome, white or black

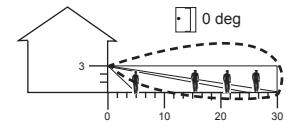
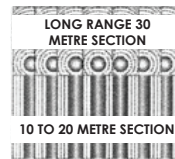
## BEAM COVERAGE



BEAM PATTERN SET TO MAXIMUM RANGE

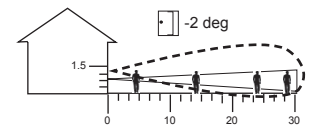
### MULTI-BEAM OPTIMUM

HEIGHT 3 METRES  
 RANGE MAXIMUM  
 MODULE TILT 0 DEGREE



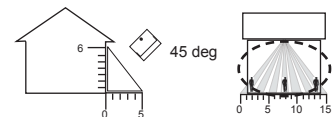
### PET IMMUNITY

HEIGHT 1.5 METRES  
 RANGE MAXIMUM  
 MODULE TILT -2 DEGREE



### CURTAIN COVERAGE

HEIGHT 6 METRES  
 RANGE MAXIMUM  
 MODULE TILT 45 DEGREE



RANGE	10m, 20m or 30m programmable
COVERAGE	10° - 70° detection angle, 30m x 30m max
ADJUSTMENT	180° pan + 90° tilt
MOUNTING HEIGHT	Variable - optimum 3m
FRESNEL LENS	28 zones for each Pyro pair which can be masked with the curtain sliders
CUSTOMISED OPTICS	Double silicon shielded quad elements eliminates 50,000 lux of white-light
INDICATORS	Selectable 3 x LEDs Green-microwave, Red-both PIRs, Blue-alarm output
MICROWAVE FREQUENCY	Country dependent
OUTPUTS	3 x volt-free, silent solid state magnetically immune contacts: 1 x normally open alarm, 1 x normally closed alarm, 1 x normally closed anti-masking Common normally closed front and rear tamper
POWER INPUT	9 to 15 VDC
CURRENT	30mA (12V nominal)
PULSE COUNT	1-2
WALK TEST	Output test mode with LED indication
OPERATING TEMP	-20°C to +55°C Conformally coated electronics for increased stability
TEMP. COMPENSATION	Digital sensitivity adjustment
HOUSING	High impact zinc housing
PROTECTION RATING	Minimum IP55
DIMENSIONS	145 x 120 x 115mm
WEIGHT	750g NET, 880g GROSS
CABLE <200M	Utilising all four outputs (incl. tamper) 12 core 7/0.2mm
CABLE <500M	Utilising all 4 outputs (incl. tamper) 12 core 16/0.2mm

Please note GJD reserve the right to change the information within this document, without notice.

