

ES1000



0051
0051-CPR-1316
0051-CPR-1317

ANALOGUE ADDRESSABLE VISUAL/AUDIBLE ALARM INDICATORS, CEILING MOUNT



**ES1010
ES1030**



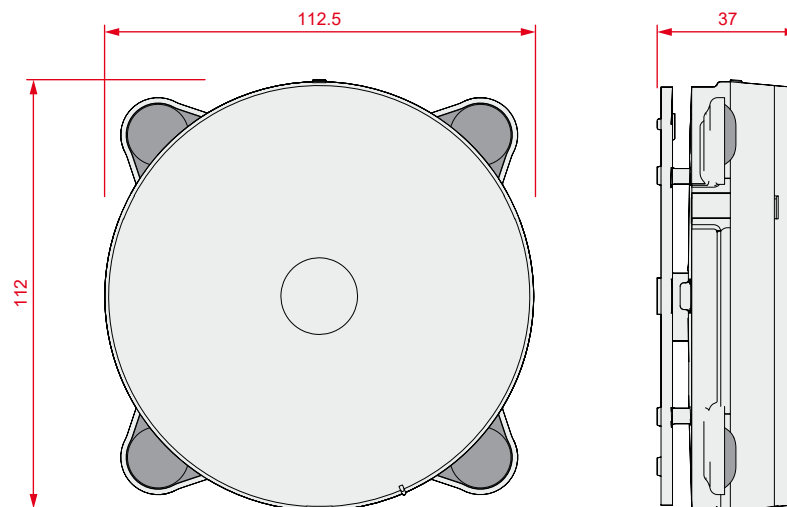
**ES1020
ES1050**

Addressable visual/audible-alarm indicators for ceiling mounting, IP21 protection rated.

Volume, flash intensity and sound sequences can be selected via the control panel from the 14 tones on-board the device (and 16 voice messages available in 8 different languages, only for versions with the voice function).

For models with the voice function, it is also possible to customize tones/voice messages by means of the EITK2000.

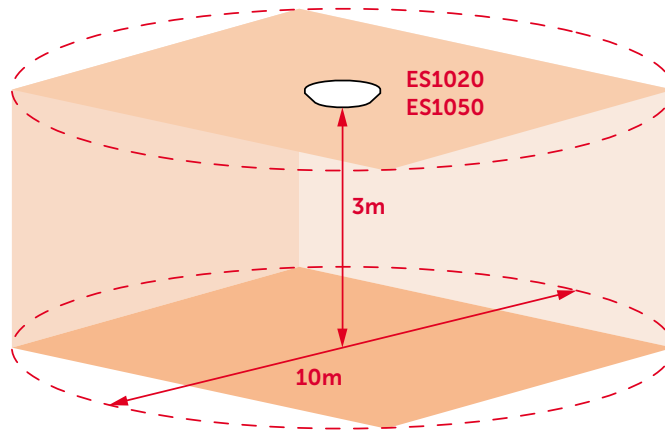
The device is powered via the loop but is equipped with terminals for an optional separate power input.



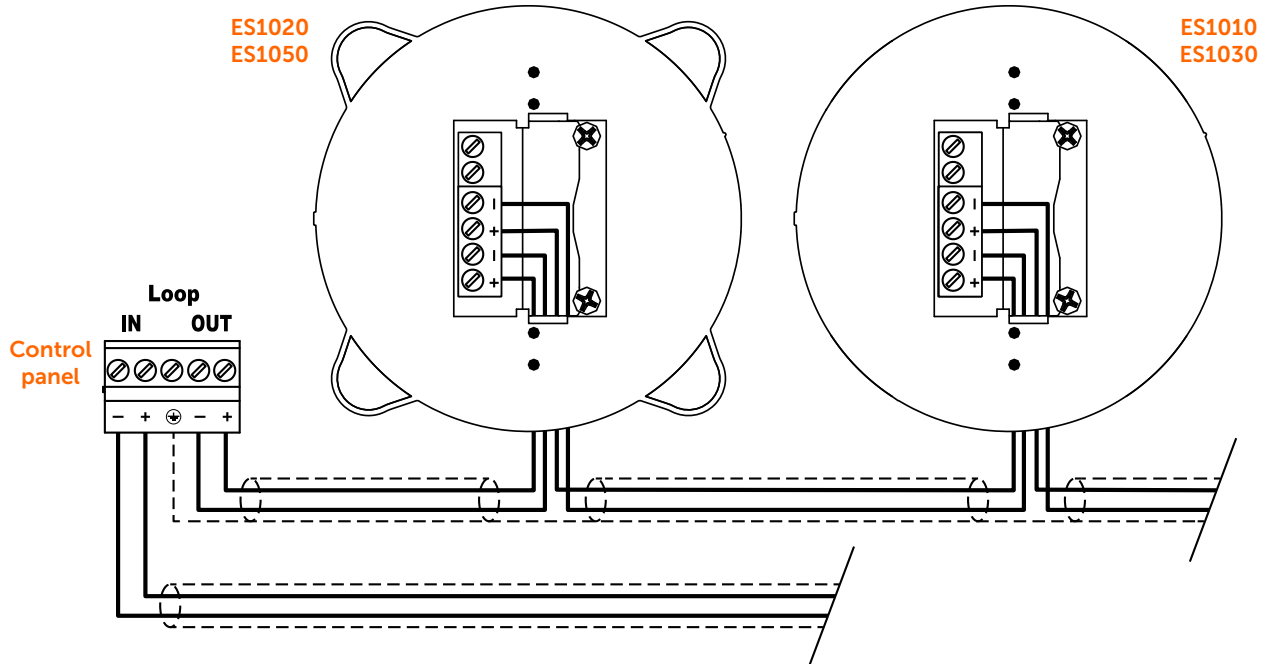
Main features

	ES1010	ES1020	ES1030	ES1050
Operating voltage	from 18 to 30V ^{DC}			
Stand-by current draw	200µA			
Maximum current draw	25mA	40mA	25mA	40mA
Installation method	ceiling mount			
Maximum installation height	-	3m	-	3m
Light coverage according to EN54-23	-	C 3-10 O 4-10	-	C 3-10 O 4-10
Flash frequency	-	0.5Hz	-	0.5Hz
Flash color	-	White	-	White
Number of selectable tones	14		104	
Sound pressure at 1mt	98dB			
IP Protection grade	IP21			
Operating temperature	from -10 to 55°C			
Synchronization	Yes			
Multicolor indicating LED	Yes			
Built-in short-circuit isolator (EN54-17)	Yes			
Dimensions	112 x 112.5 x 37mm			
Weight	155g	175g	155g	175g

FLASH COVERAGE VOLUME



CONFIGURATION DIAGRAM



ORDER CODES

- ES1010** Audible alarm indicator, addressable
- ES1020** Visual/Audible alarm indicator, addressable
- ES1030** Audible alarm indicator with voice alert, addressable
- ES1050** Visual/Audible alarm indicator with voice alert, addressable