

DAL 165/10 PP

6.5" 10W WALL OR CEILING MOUNT LOUDSPEAKER

The DAL 165/10 PP loudspeaker for voice evacuation systems is made in powder-paint coated metal, it is equipped with a 100V transformer and comes with a ceramic terminal block and a thermal fuse.

Thanks to its classic design and highly efficient acoustic features, this loudspeaker is ideal for a wide variety of applications including music playback and announcement of voice evacuation (e.g. business centres, hotels, shopping malls, schools, etc.).

EN54-24 certified.



— TECHNICAL SPECIFICATIONS

Main features

- 6.5" speaker
- Suitable for 70V or 100V lines
- Equipped with internal transformer for adapting the power parameters
- Wall or ceiling mount
- Internal selector to adjust the output power to 10 / 6 / 3 / 1.5 W
- White colour
- Ceramic connection terminal
- Thermal protection fuse included
- EN54-24 certified

Electrical specifications

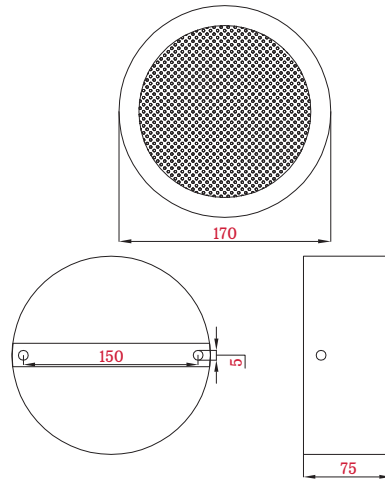
Power (PHC)	10 / 6 / 3 / 1.5 W (internal selector)
SPL (Sound Pressure Level)	91 dB (1W @ 1m)
Frequency response	110 Hz – 16.100 KHz (-10 dB)
Operating voltage	70 – 100 Vrms

Mechanical specifications

IP protection grade (according to EN54-24 / IP Rating)	21
Enclosure material	Metal
Dimensions	Ø 170 x 75 mm
Weight	1.2 Kg
Colour	White RAL 9010
Mounting type	Wall ceiling



Dimensions



— ORDER CODE

DAL 165/10 PP 6.5" 10W wall or ceiling mount loudspeaker

inim[®]

Centobuchi, via Dei Laboratori 10
63076, Monteprandone (AP), ITALY
Tel. +39 0735 705007 _ Fax +39 0735 704912

info@inim.biz _ www.inim.biz

Inim distributor's stamp
and signature