

SPI-W420200, SPIW520200, SPI-W640200

Wall mount two-way loudspeakers

SPI-W420200, SPI-W520200, SPI-W640200 are two-way (one woofer one tweeter) sound-projector loudspeakers for music playback, alarm and voice evacuation systems.

The high quality of the sound played makes them particularly suitable for background music or entertainment systems.

They are equipped with a flame-resistant ABS plastic enclosure and a black metal grille to protect the front part.

Surface mounted by means of an adjustable metal bracket.

All models support 70V or 100V lines and, by means of a selector, can be set to deliver a power of up to 40W, depending on the model or can be set to operate at 8Ohm.



MAIN FEATURES

- EN54-24 certified
- 2 speakers (woofer and tweeter)
- Suitable for 70V or 100V lines
- Selector for adjusting the output power
- Internal transformer for adapting the power parameters
- Flame resistant ABS thermoplastic casing
- IP21C certified protection grade
- Metal front grille
- Adjustable metal coupling bracket
- Waterproof cable glands for connection cables
- Connection via external IP66 box supplied
- Ceramic connector
- Thermal fuse included
- Black colour

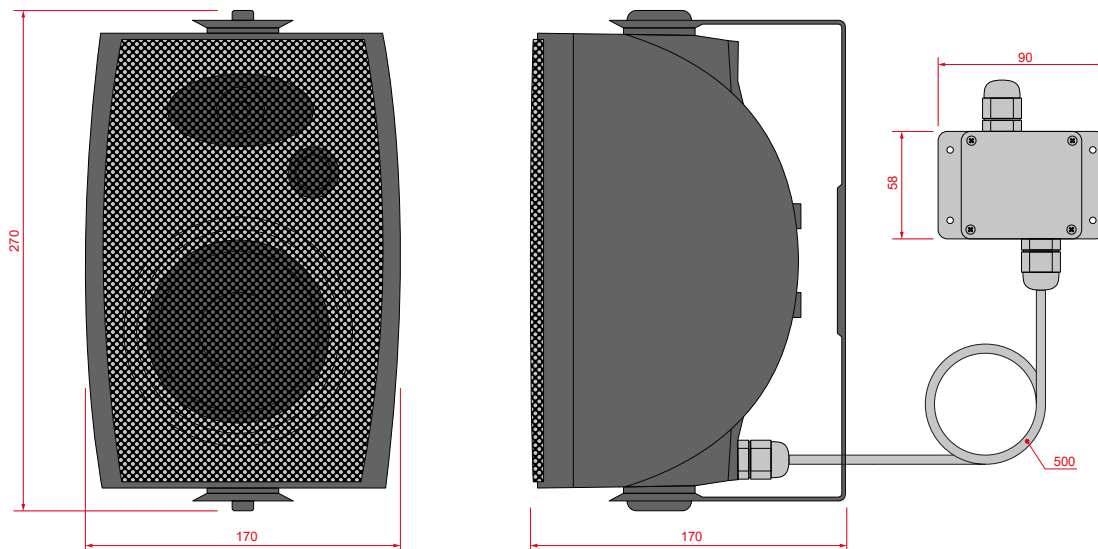
TECHNICAL SPECIFICATIONS

	SPI-W420200	SPI-W520200	W640200
Operating mode	70 Vrms, 100 Vrms, 8 Ohm		
Power (PHC)			
@ 100V	2.5 / 5 / 10 / 20 W	3.75 / 7.5 / 15 / 30 W	5 / 10 / 20 / 40 W
@ 70V	1.25 / 2.5 / 5 / 10 / 20 W	1.9 / 3.75 / 7.5 / 15 / 30 W	2.5 / 5 / 10 / 20 / 40 W
Measured impedance			
nominal	8 Ω		
@ 100V	3454 / 1803 / 862 / 441 Ω	2634 / 1300 / 660 / 336 Ω	1782 / 912 / 465 / 234 Ω
@ 70V	3454 / 1803 / 862 / 441 / 220 Ω	2634 / 1300 / 660 / 336 / 168 Ω	1782 / 912 / 465 / 234 / 117 Ω
Minimum sensitivity	70.6 dB (1W @ 4m) 82.6 dB (1W @ 1m)	72.3 dB (1W @ 4m) 84.3 dB (1W @ 1m)	73.5 dB (1W @ 4m) 85.5 dB (1W @ 1m)
Maximum sound pressure level (SPL)	82.3 dB (@ 4m) 94.6 dB (@ 1m)	84.0 dB (@ 4m) 96.0 dB (@ 1m)	86.9 dB (@ 4m) 98.9 dB (@ 1m)
Frequency response	from 100 Hz to 20 KHz (-10 dB)		
Enclosure material	ABS plastic		
Degree of protection	IP 21C		
Type of environment	A		
Dimensions	170 x 170 x 270 mm	185 x 185 x 295 mm	220 x 220 x 330 mm
Woofer	4	5	6.5
Tweeter	1	1.5	1.5
Connection cable	500 mm		
Weight	2.5 Kg		3.7 Kg
Operating environmental conditions			
Temperature	from -10 to +40 °C		
Relative humidity	≤ 95 % without condensation		

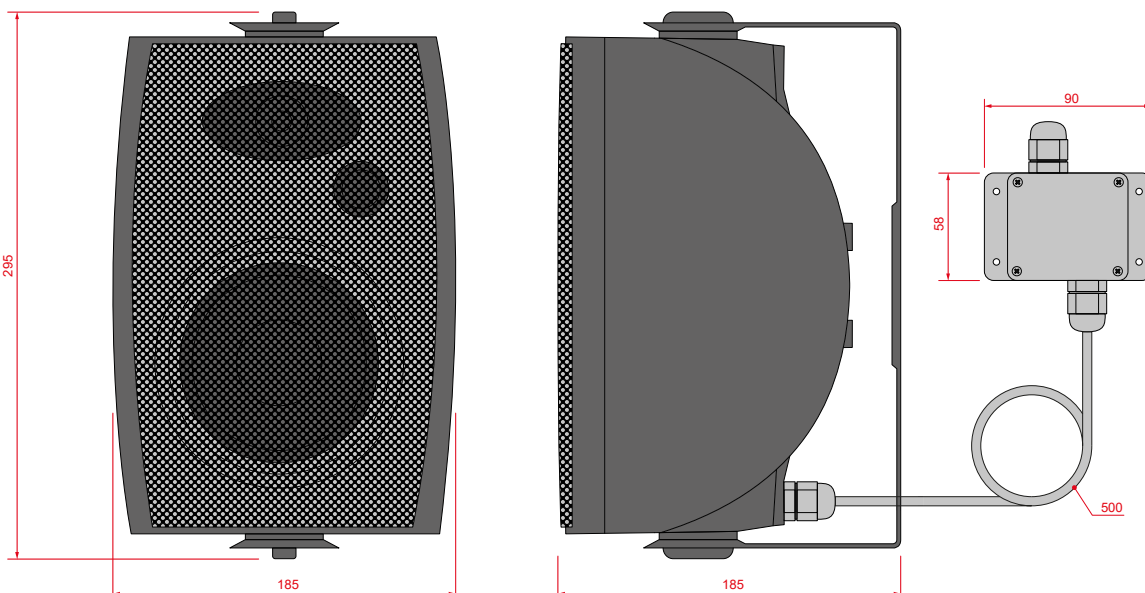
SPI-W420200, SPIW520200, SPI-W640200

DIMENSIONS

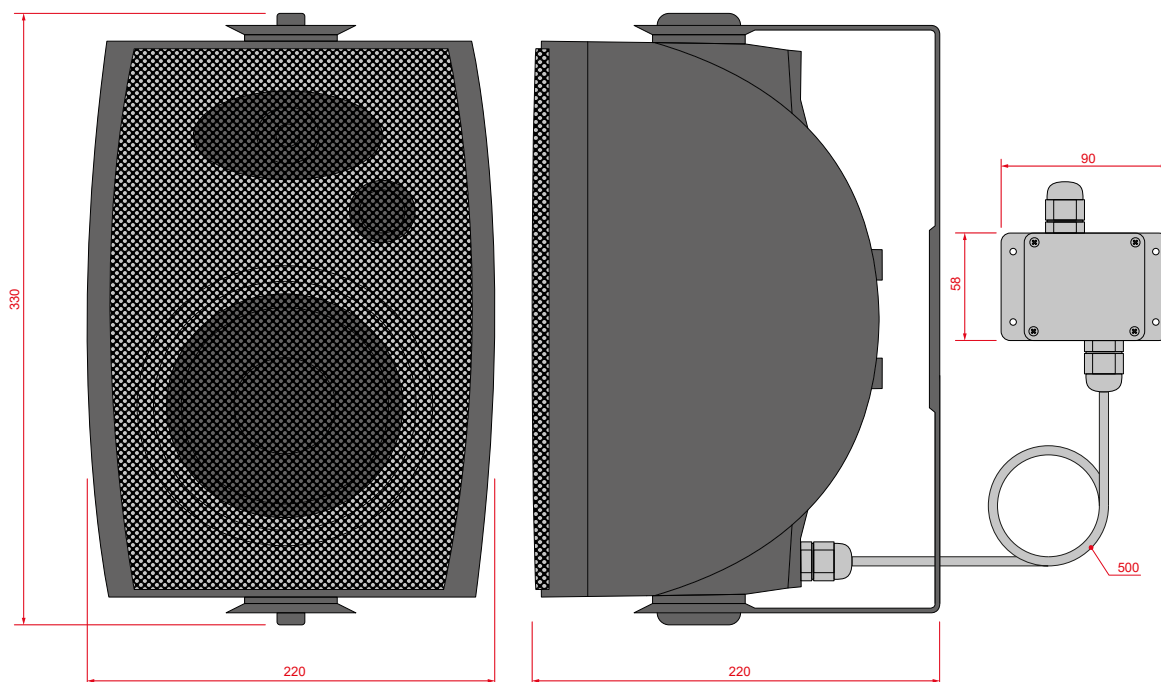
SPI-W420200



SPI-W520200

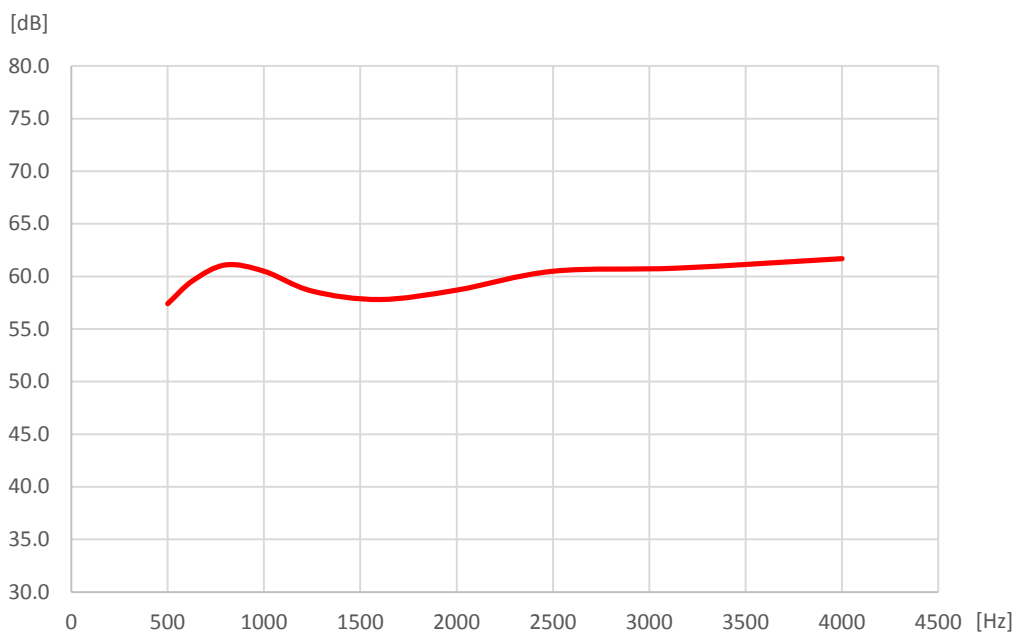


SPI-W640200

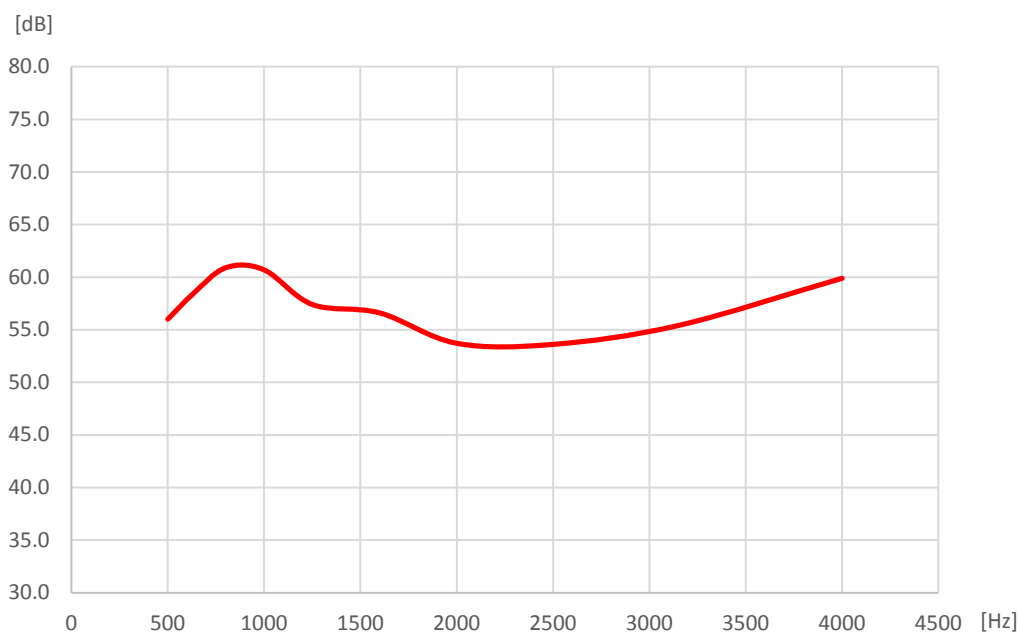


RESPONSE DIAGRAMS

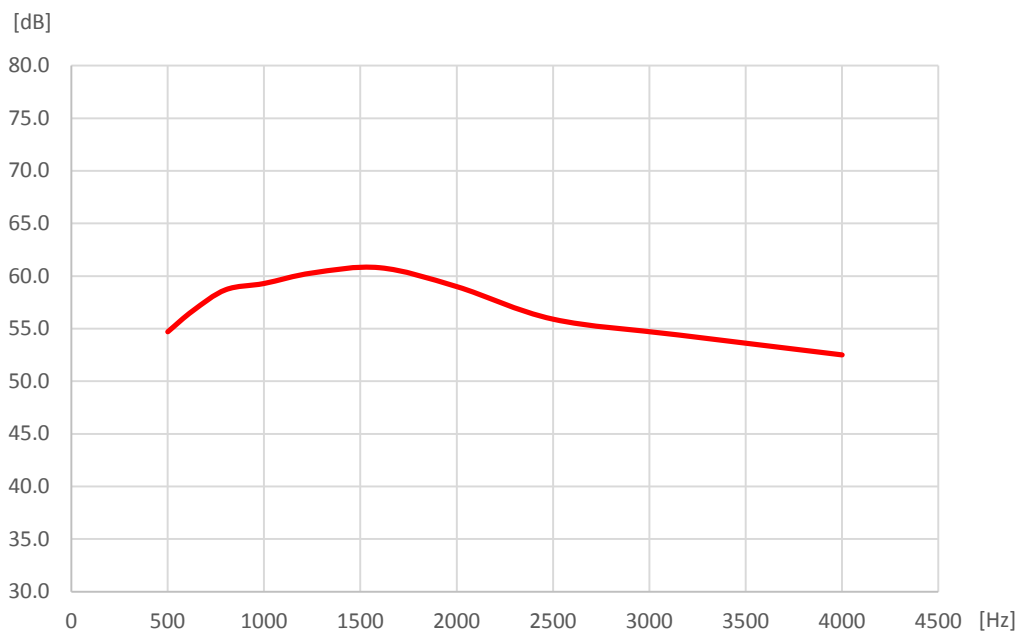
SPI-W420200



SPI-W520200



SPI-W640200



SPI-W420200, SPIW520200, SPI-W640200



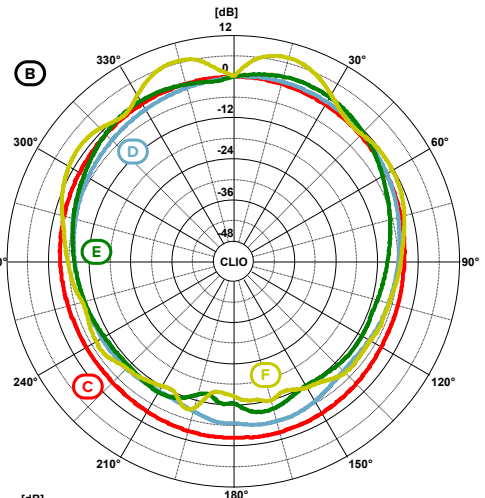
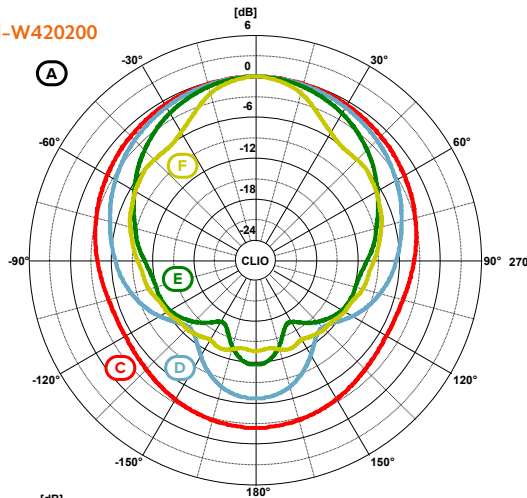
0051
24
0051-CPR-3003
0051-CPR-3004
0051-CPR-3005

COVERAGE ANGLE

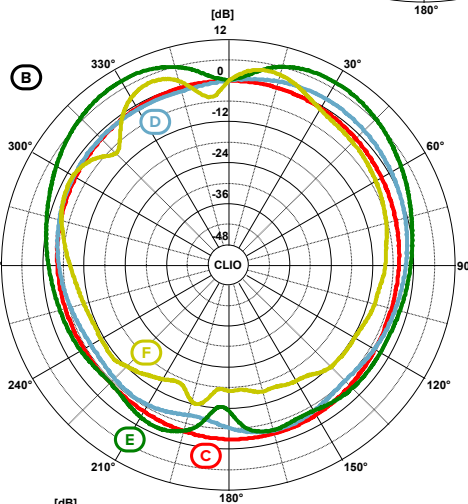
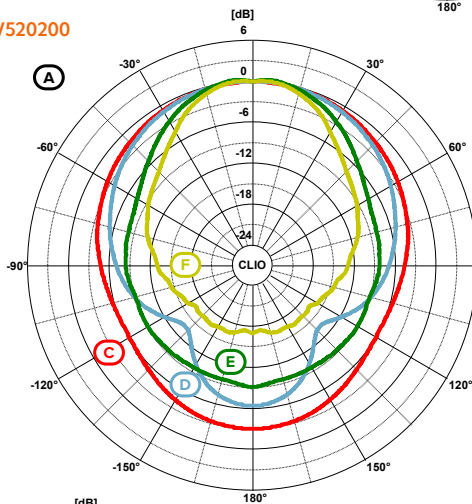
[A]	Horizontal cover
[B]	Vertical cover
[C]	500 Hz
[D]	1000 Hz
[E]	2000 Hz
[F]	4000 Hz

The measurement environment used is that of "free field on standard panel".

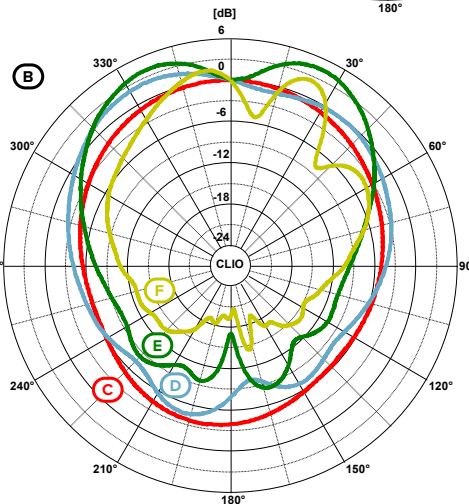
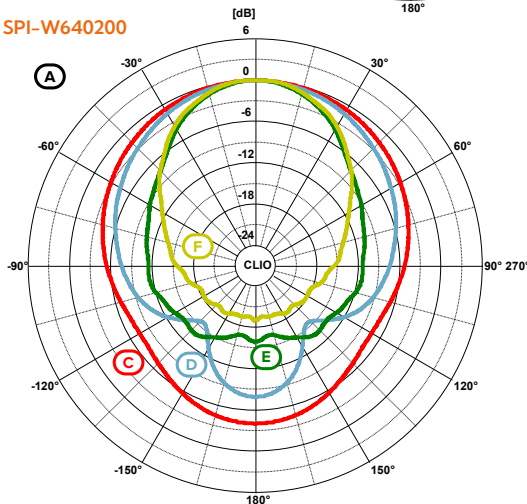
SPI-W420200



SPI-W520200



SPI-W640200



ORDER CODES

- SPI-W420200** Wall mount two-way (4" + 1") loudspeaker, 20W
- SPI-W520200** Wall mount two-way (5" + 1.5") loudspeaker, 30W
- SPI-W640200** Wall mount two-way (6.5" + 1.5") loudspeaker, 40W



Via Dei Lavoratori 10
63076 Monteprandone (AP) – ITALY
Tel. (+39) 0735 705007 – Fax (+39) 0735 704912

info@inim.it – www.inim.it