

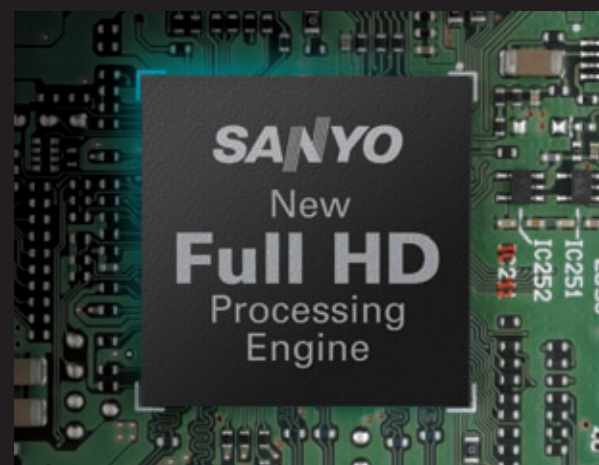
Think GAIA

For Life and the Earth

SANYO

Full HD CS-Mount Camera Series

VCC-HD2100P
VCC-HD2300P
VCC-HD2500P



SANYO, the first choice for Full HD

- Ultra-compact camera style
- 1080p Full HD, 25 ips Full Framerate with H.264
- 4-megapixel (2288 x 1712) resolution with MJPEG
- Exclusive Xacti HD-Pro Engine (HD2500P) and Optimum IP-Pro Engine
- Quad-Stream (HD2500P), Dual-Stream (HD2100P/HD2300P)
- Focus Assist Drive
- Video Analytics *¹
- Edge Recording on SD Memory Card *²
- Bidirectional Audio *¹
- Universal Power Input PoE, 24VAC and 12VDC

*¹ Only for VCC-HD2500P

*² Only for alarm/Back-up REC. VCC-HD2500P (The use Sanyo-recommended SD card)



FULL HD
1920 X 1080

VCC-HD2100P
Dual-Stream
Color CS-Mount

VCC-HD2300P
Dual-Stream
Day/Night CS-Mount
DAY NIGHT

VCC-HD2500P
Quad-Stream
Day/Night CS-Mount
DAY NIGHT

Technical Specifications

Camera

Model No.	VCC-HD2500P	VCC-HD2300P	VCC-HD2100P
Image sensor	1/3" Progressive Scan CMOS		
Number of pixels	Effective 16:9 1920 (H) x 1080 (V) 4:3 2288(H) x 1712(V)		
Minimum illumination (approx.)	Color 1.0 lux (F1.2, GAIN HIGH), B/W 0.1 lux (F1.2, GAIN HIGH)		Color 1.0 lux (F1.2, GAIN HIGH)
Video S/N ratio	More than 50 dB (AGC off)		
Lens mount	CS mount		
F l a n g e back	12.5mm ±0.5mm electronic adjustment with focus assist drive		
Backlight compensation	Multi/Center/Face/Off, Mask settings possible	Multi/Center/Off, Mask settings possible	
White balance	ATW/AWC/MWB/Outdoor/Indoor/Fluorescent Adjustable R and B signals in MWB mode		
AGC	Normal/Middle/High/Off Adjustable, gain control in Off mode		
Electronic shutter	1/25, 1/50, 1/120, 1/250, 1/500, 1/1000, 1/2000, 1/4000, 1/10000 Long shutter : x1, x2, x4, x8, x16, x32		
Electronic iris	Yes		
Auto iris control	DC type		
Gamma	0.45/1/Mode1/Mode2		
Aperture compensation	On/Off		
Day/Night	True Day/Night		—
DNR	3D		
Title	16 Characters		
Motion detection	Yes, Video analytics	Yes	
Face detection	Yes	—	
Privacy mask	On/Off		

Network

Image compression	MJPEG / H.264		
Resolution	H.264	<16:9> 1920x1080 / 1280x720 / 640x360 / 320x180 <4:3> 1600x1200 / 1280x960 / 1024 x 768 / 640x480 / 320x240	
	MJPEG	<16:9> 1920x1080 / 1280x720 / 1024x576 / 640x360 <4:3> 2288x1712 / 1600x1200 / 1280x960 / 1024x768 / 800x600 / 640x480 / 320x240	
Picture quality	Quality: (BASIC, NORMAL, ENHANCED, FINE, SUPER FINE)		Bitrate: Chageable
Frame rate	Max. 25 ips (1920x1080)		
Streaming number	4	2	
Video streaming	Multi stream H.264 and MJPEG (Max 1920x1080 25ips)		
Audio compression method	G.711, Bidirectional (Full duplex)		—
Protocol	TCP/IP, UDP, HTTP, HTTPS, SMTP, NTP, DHCP, FTP, DDNS, RTP, RTSP		
Simultaneous access capacity	Max. 20		
Security	BASIC authentication (ID/password), SSL supported (Only JPEG), IP filtering		

Interface

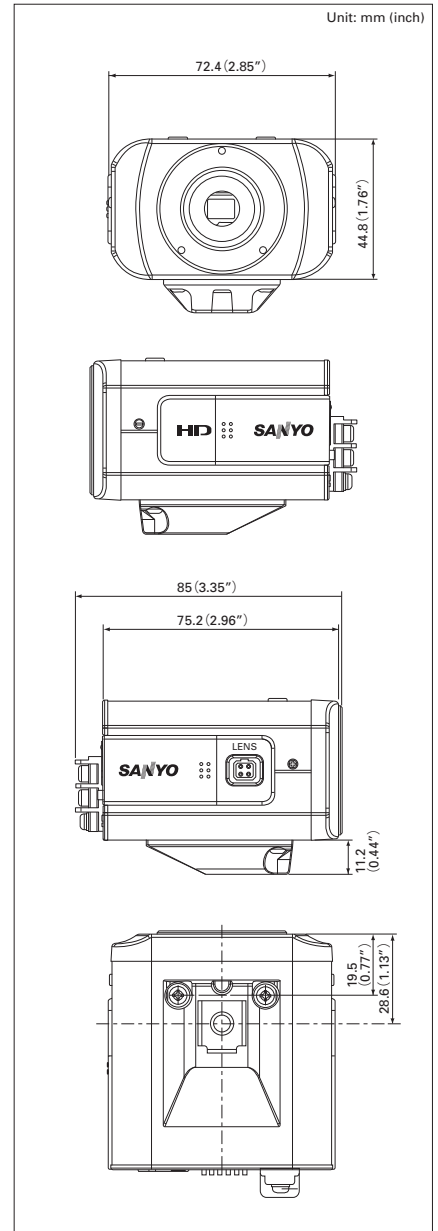
Monitor output	Composite out (for adjustment only)		
SD memory card slot	1(SDHC)	—	
Network port	10BASE-T/100BASE-TX (RJ45 connector)		
Alarm input/output	2/2		
Audio input/output	Mic in/Line out (3.5 φ mini jack)	—	

General

Environmental conditions	Operating	Temperature: -10 to +50°C Humidity: within 90% RH	
	Storage	Temperature: -20 to +70°C Humidity: within 70% RH	
Power supply	24V AC ±10%, 50 Hz/ 12 - 15 V DC, PoE (IEEE802.3af)		
Power consumption (approx.)	6.8w	4.6w	
Dimensions (approx.) (W x H x D)	72.4 x 44.8 x 75.2 mm		
Weight (approx.)	250g	220g	

*Specifications, design and availability are subject to change without notice.

Dimensions



Caution: Please consult the instruction manual to ensure safe and proper operation of the product.



Digital System Company of SANYO Electric Co., Ltd. obtained Quality Management System ISO9001 and Environmental Management System ISO14001 certifications.

Distributed by:



SANYO Electric Co., Ltd.
Digital System Company
<http://www.sanyosecurity.com>

Technical Specifications

Camera

Model No.	VDC-HD3500P	VDC-HD3300P	VDC-HD3100P
Image sensor	1/3" Progressive Scan CMOS		
Number of pixels	Effective 16:9 1920 (H) x 1080 (V) 4:3 2288(H) x 1712(V)		
Minimum illumination (approx.)	Color 1.0 lux (F1.2, GAIN HIGH), B/W 0.1 lux (F1.2, GAIN HIGH) Color 1.0 lux (F1.2, GAIN HIGH)		
Video S/N ratio	More than 50 dB (AGC off)		
Lens	Built-in vari-focal lens f=3 to 9mm, F1.2 to 2.1		
Electronic focus adjustment	With focus assist		
Backlight compensation	Multi/Center/Face/Off, Mask settings possible	Multi/Center/Off, Mask settings possible	
White balance	ATW/AWC/MWB/Outdoor/Indoor/Fluorescent Adjustable R and B signals in MWB mode		
AGC	Normal/Middle/High/Off Adjustable, gain control in Off mode		
Electronic shutter	1/25, 1/50, 1/120, 1/250, 1/500, 1/1000, 1/2000, 1/4000, 1/10000 Long shutter : x1, x2, x4, x8, x16, x32		
Auto iris control	DC type		
Gamma	0.45/1/Mode1/Mode2		
Aperture compensation	On/Off		
Day/Night	True Day/Night		—
DNR	3D		
Title	16 Characters		
Motion detection	Yes, Video analytics		Yes
Face detection	Yes		—
Privacy mask	On/Off		

Network

Image compression	MJPEG / H.264		
Resolution	H.264	<16:9> 1920x1080 / 1280x720 / 640x360 / 320x180 <4:3> 1600x1200 / 1280x960 / 1024 x 768 / 640x480 / 320x240	
	MJPEG	<16:9> 1920x1080 / 1280x720 / 1024x576 / 640x360 <4:3> 2288x1712 / 1600x1200 / 1280x960 / 1024x768 / 800x600 / 640x480 / 320x240	
Picture quality	Quality: (BASIC, NORMAL, ENHANCED, FINE, SUPER FINE) Bitrate: Chageable		
Frame rate	Max. 25 ips (1920x1080)		
Streaming number	4		2
Video streaming	Multi stream H.264 and MJPEG (Max 1920x1080 25ips)		
Audio compression method	G.711, Bidirectional (Full duplex)		—
Protocol	TCP/IP, UDP, HTTP, HTTPS, SMTP, NTP, DHCP, FTP, DDNS, RTP, RTSP		
Simultaneous access capacity	Max. 20		
Security	BASIC authentication (ID/password), SSL supported (Only JPEG), IP filtering		

Interface

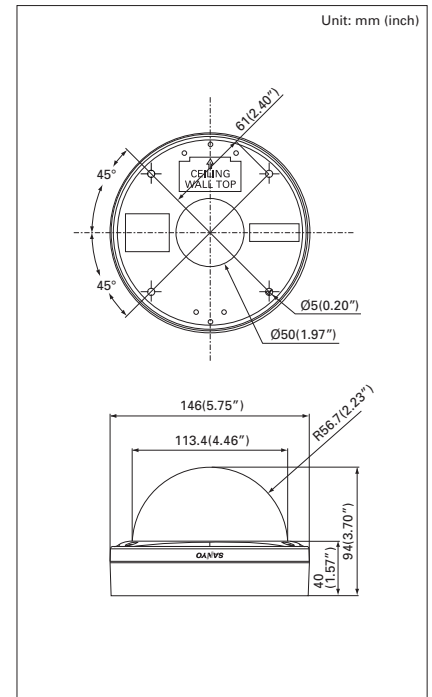
Monitor output	Composite out (for adjustment only)		
SD memory card slot	1(SDHC)		—
Network port	10BASE-T/100BASE-TX (RJ45 connector)		
Alarm input/output		2/2	
Audio input/output	Mic in/Line out (3.5 Φmini jack)		—

General

Environmental conditions	Operating	Temperature: -10 to +50°C Humidity: within 90% RH	
	Storage	Temperature: -20 to +70°C Humidity: within 70% RH	
Power supply	24V AC ±10%, 50 Hz/ 12 - 15V DC, PoE (IEEE802.3af)		
Power consumption (approx.)	6.8w (with Heater 20w)		4.6w (with Heater 18w)
Dimensions (approx.) (Dia. x H)	Φ146 x 94mm		
Weight (approx.)	800g		770g

*Specifications, design and availability are subject to change without notice.

Dimensions



Caution: Please consult the instruction manual to ensure safe and proper operation of the product.



Digital System Company of SANYO Electric Co., Ltd. obtained Quality Management System ISO9001 and Environmental Management System ISO14001 certifications.

Distributed by:



SANYO Electric Co., Ltd.
Digital System Company
<http://www.sanyosecurity.com>

Technical Specifications

Camera

Model No.		VCC-HD4600P
Image sensor		1/2.5" Progressive Scan CMOS
Number of pixels		Effective 16:9 1920 (H) x 1080 (V) 4:3 2288 (H) x 1712 (V)
Minimum illumination (approx.)		Color 2.0 lux (F1.8, GAIN MAX), B/W 0.1 lux (F1.8, GAIN MAX)
Video S/N ratio		More than 50 dB (AGC off)
Lens		10x Optical Zoom, 16x Digital Zoom f=6.3 to 63mm, F1.8-2.5
View angle	Horizontal	(16:9) 5.5 - 50.6° (4:3) 5.2 - 48.7°
	Vertical	(16:9) 3.1 - 29.3° (4:3) 3.9 - 37°
	Diagonal	(16:9) 6.2 - 57° (4:3) 6.5 - 58.8°
Auto Focus		Auto/Manual/One-Push
Backlight compensation		Multi/Center/Face/Off, Mask settings possible
White balance		ATW/AWC/MWB/Outdoor/Indoor/Fluorescent Adjustable R and B signals in MWB mode
AGC		Normal/Middle/High/Off Adjustable, gain control in Off mode
Electronic shutter		1/25, 1/50, 1/120, 1/250, 1/500, 1/1000, 1/2000, 1/4000, 1/10000 Long shutter : x1, x2, x4, x8, x16, x32
Electronic iris		On/Off
Gamma		0.45/1/Mode1/Mode2
Aperture compensation		On/Off
Day/Night		True Day/Night
DNR		3D
Title		16 Characters
Motion detection		Yes, Video analytics
Face detection		Yes
Privacy mask		On/Off
Image Stabilizer		Yes

Network

Image compression		MJPEG / H.264
Resolution	H.264	<16:9> 1920x1080 / 1280x720 / 640x360 / 320x180 <4:3> 1600x1200 / 1280x960 / 1024 x 768 / 640x480 / 320x240
	MJPEG	<16:9> 1920x1080 / 1280x720 / 1024x576 / 640x360 <4:3> 2288x1712 / 1600x1200 / 1280x960 / 1024x768 / 800x600 / 640x480 / 320x240
Picture quality		Quality: (BASIC, NORMAL, ENHANCED, FINE, SUPER FINE) Bitrate: Chageable
Frame rate		Max. 25 ips (1920x1080)
Streaming number		4
Video streaming		Multi stream H.264 and MJPEG (Max 1920x1080 25ips)
Audio compression method		G.711, Bidirectional(Full duplex)
Protocol		TCP/IP, UDP, HTTP, HTTPS, SMTP, NTP, DHCP, FTP, DDNS, RTP, RTSP
Simultaneous access capacity		Max. 20
Security		BASIC authentication (ID/password), SSL supported (Only JPEG), IP filtering

Interface

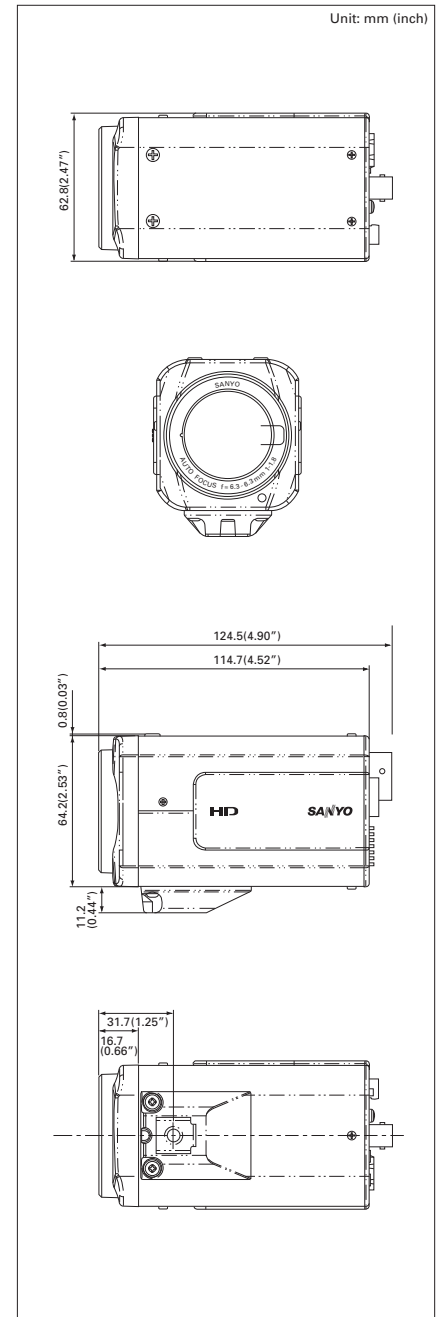
Video output		Composite out (for adjustment only), HDMI (mini type)
SD memory card slot		1(SDHC)
Network port		10BASE-T/100BASE-TX (RJ45 connector)
Alarm input/output		2/2
Audio input/output		Mic in/Line out (3.5 Φ mini jack)
USB port		For dedicated HDD case only

General

Environmental conditions	Operating	Temperature: -10 to +50°C Humidity: within 90% RH
	Storage	Temperature: -20 to +70°C Humidity: within 70% RH
Power supply		24V AC ±10%, 50Hz/ 12 - 15V DC, PoE (IEEE802.3af)
Power consumption (approx.)		12.3w
Dimensions (approx.) (W x H x D)		62.8 x 64.2 x 114.7mm
Weight (approx.)		420g

*Specifications, design and availability are subject to change without notice.

Dimensions



Caution: Please consult the instruction manual to ensure safe and proper operation of the product.



Digital System Company of SANYO Electric Co., Ltd. obtained Quality Management System ISO9001 and Environmental Management System ISO14001 certifications.

Distributed by:



SANYO Electric Co., Ltd.
Digital System Company
<http://www.sanyosecurity.com>

Technical Specifications

Camera

Model No.	VCC-HD5600P	VCC-HD5400P
Image sensor	1/2.5" Progressive Scan CMOS	
Number of pixels	Effective 16:9 1920 (H) x 1080 (V) 4:3 1600 (H) x 1200 (V)	
Minimum illumination (approx.)	Color 2.0 lux (F1.8), B/W 0.1 lux (F1.8)	
Video S/N ratio	More than 50 dB (AGC off)	
Lens	10x Optical Zoom, 16x Digital Zoom f=6.3 to 63mm, F1.8-2.5	
View angle	Horizontal	(16:9) 5.5 - 50.6° (4:3) 5.2 - 48.7°
	Vertical	(16:9) 3.1 - 29.3° (4:3) 3.9 - 37°
	Diagonal	(16:9) 6.2 - 57° (4:3) 6.5 - 58.8°
Auto focus	Auto/Manual/One-push	
Backlight compensation	Multi/Center/Face/Off, Mask settings possible	
White balance	ATW/AWC/MWB/Outdoor/Indoor/Fluorescent Adjustable R and B signals in MWB mode	
AGC	Normal/Middle/High/Off Adjustable, gain control in Off mode	
Electronic shutter	1/25, 1/50, 1/120, 1/250, 1/500, 1/1000, 1/2000, 1/4000, 1/10000 Long shutter : x1, x2, x4, x8, x16, x32	
Electronic iris	On/Off	
Gamma	0.45/1/Mode1/Mode2	
Aperture compensation	On/Off	
Day/Night	True Day/Night	
DNR	3D	
Title	16 Characters	
Motion detection	Yes, Video analytics	
Face detection	Yes	
Privacy mask	On/Off	
Image Stabilizer	Yes	

Network

Image compression	MJPEG / H.264	
Resolution	H.264	<16:9> 1920x1080 / 1280x720 / 640x360 / 320x180 <4:3> 1600x1200 / 1280x960 / 1024 x 768 / 640x480 / 320x240
	MJPEG	<16:9> 1920x1080 / 1280x720 / 1024x576 / 640x360 <4:3> 1600x1200 / 1280x960 / 1024x768 / 800x600 / 640x480 / 320x240
Picture quality	Quality: (BASIC, NORMAL, ENHANCED, FINE, SUPER FINE) Bitrate: Chageable	
Frame rate	Max. 25 ips (1920x1080)	
Streaming number	4	
Video streaming	Multi stream H.264 and MJPEG (Max 1920x1080 25ips)	
Audio compression method	G.711, Bidirectional (Full duplex)	
Protocol	TCP/IP, UDP, HTTP, HTTPS, SMTP, NTP, DHCP, FTP, DDNS, RTP, RTSP	
Simultaneous access capacity	Max. 20	
Security	BASIC authentication (ID/password), SSL supported (Only JPEG), IP filtering	

Mechanical

Movement range	Panning	360° Endless pan	
	Tilting	-20° to +200°	
Movement speed	Panning	420°/sec (24V AC)	350°/sec (24V AC)
	Tilting	360°/sec (24V AC)	350°/sec (24V AC)
Preset positions	256 positions		
Auto mode	Sequence/auto pan/tour		
Auto return	On/Off		
Auto pursuit	On/Off		

Interface

Video output	Composite out (for adjustment only), HDMI*1	Composite out (for adjustment only), HDMI
SD memory card slot	1(SDHC)	
Network port	10BASE-T/100BASE-TX (RJ45 connector)	
Alarm input/output	8/2	4/2
Audio input/output	Mic in/Line out (3.5 Φmini jack)	
Communication	RS-485	
USB port	For dedicated HDD case only	

General

Environmental conditions	Operating	Temperature: -10 to +50°C Humidity: within 90% RH
	Storage	Temperature: -20 to +70°C Humidity: within 70% RH
Power supply	24V AC ±10%, 50 Hz*2 230V AC±10%, 50 Hz*3	24 V AC ±10%, 50 Hz, 12V DC, PoE
Power consumption (approx.)	24w (24V AC)	21w (24V AC)
Dimensions (approx.) (Dia. x H)	Φ192 x 181mm	Φ124 x 153.4mm
Weight (approx.)	1.90kg	1.35kg

*Specifications, design and availability are subject to change without notice.

*1 Option

*2 Combination with VCC-MCH5600P (Camera unit) with VA-94S (24V AC) (Power unit)

*3 Combination with VCC-MCH5600P (Camera unit) with VA-90S (230V AC) (Power unit)

Caution: Please consult the instruction manual to ensure safe and proper operation of the product.



Digital System Company of SANYO Electric Co., Ltd. obtained Quality Management System ISO9001 and Environmental Management System ISO14001 certifications.

Distributed by:



SANYO Electric Co., Ltd.
Digital System Company
http://www.sanyosecurity.com

©2009 SANYO Printed in Japan 2009.10.NP
SMS184

Dimensions

