

433MHz Wireless Exit Button User Manual

1. Introduction

It is a 433MHz wireless exit button, with 1 million groups of rolling code encryption, secure and reliable.

2 versions are available:

Wet contact control - no isolation to the circuit, control current $\leq 3A$.

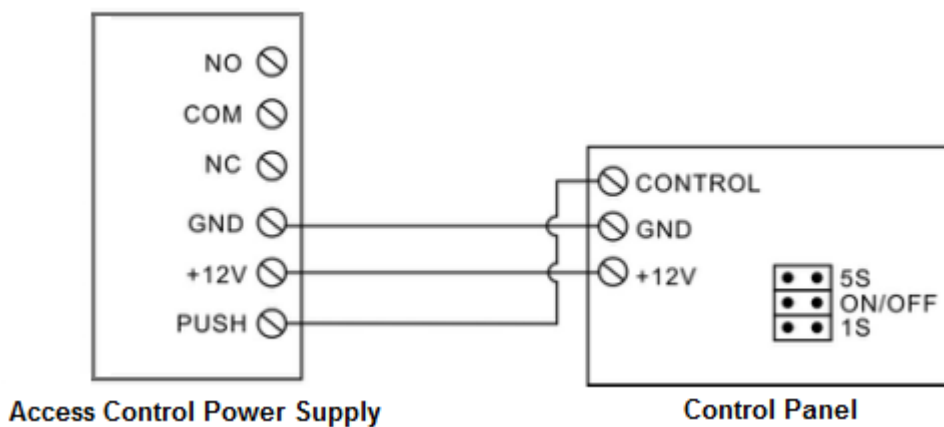
Dry contact control - with isolation circuit, control current $\leq 5A$, can connect with household electrical appliances or lock to control directly.

2. Specifications

Operating Voltage Wireless Exit Button Control panel	2032 3V Li-battery DC $12 \pm 20\%$
Current Idle Current Working Current	Wireless Exit Button: $\leq 5\mu A$; Control Panel: $\leq 20mA$ Wireless Exit Button: $\leq 8mA$; Control Panel: $\leq 60mA$
Communication Frequency	433MHz
Communication Distance	About 50m
Relay Contact Load	Wet contact control: $\leq 3A$; Dry contact control: $\leq 5A$
Environment Operating Temperature Operating Humidity	$-20^{\circ}C \sim +60^{\circ}C$ $0\% \sim 86\%$

3 Application

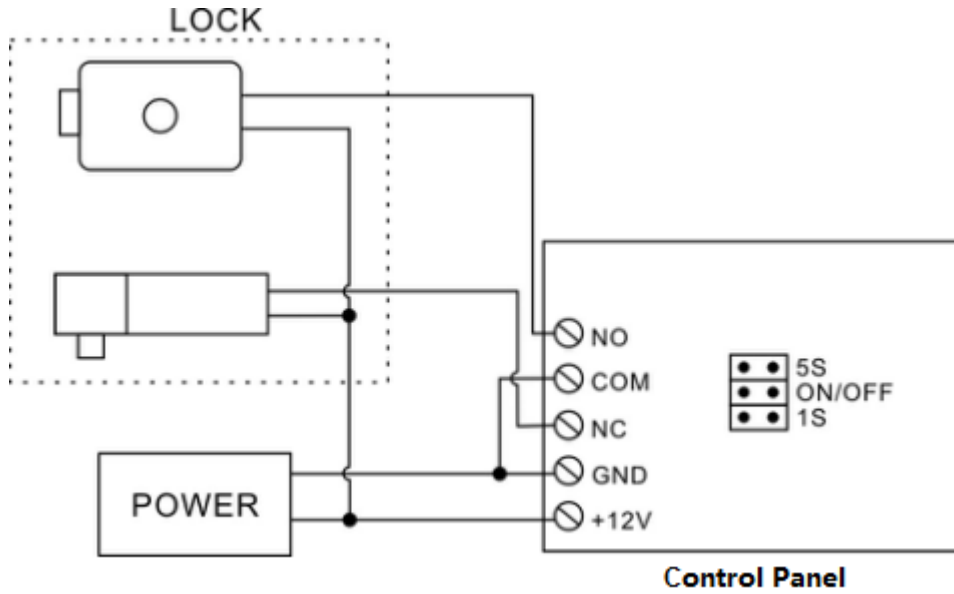
3.1 Wet Contact Control



Remark: "ON/OFF" represents "Toggle Mode"

PIN	Notes
+12V	Positive Pole of Control Panel's Power Input
GND	Negative Pole of Control Panel's Power Input
CONTROL	Control PIN (Low Level effective)

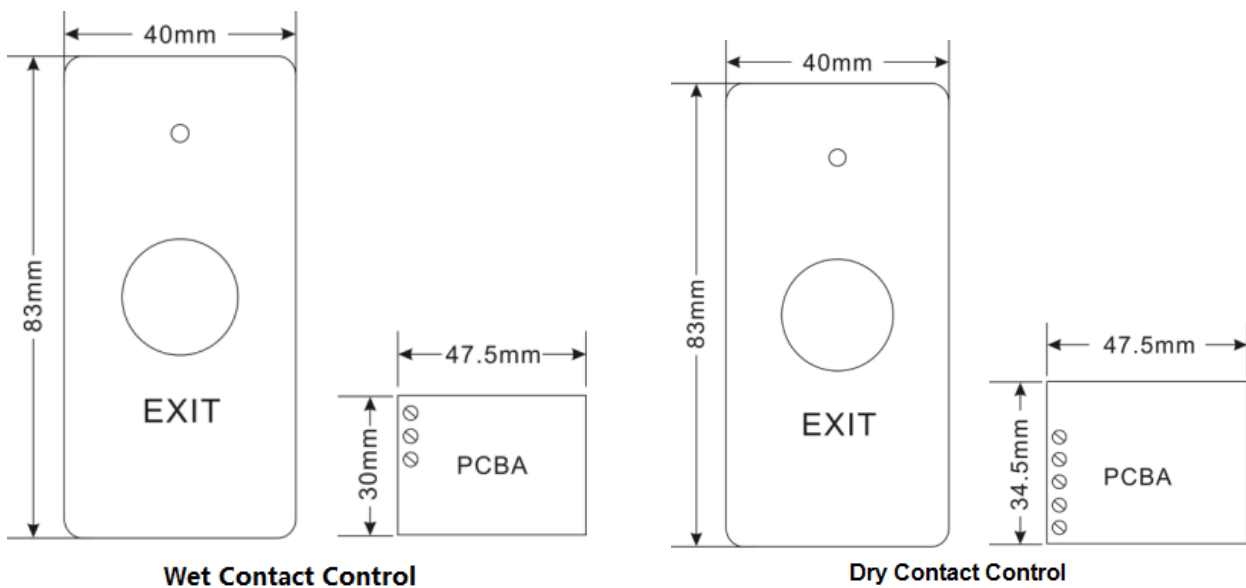
3.2 Dry Contact Control



Remark: "ON/OFF" represents "Toggle Mode"

PIN	Notes
+12V	Positive Pole of Control Panel's Power Input
GND	Negative Pole of Control Panel's Power Input
NC	Normally Closed Relay Output
COM	Common Connection for Relay Output
NO	Normally Open Relay Output

4. Dimensions



5. How to pair and clear pairing

5.1 Pair Wireless Exit Button and Control Panel

Remark: 1 Control Panel can pair with 6 Wireless Exit Buttons

Control Panel: Press the button "Pair" for 3 seconds, then the indicator light stays on

Wireless Exit Button: Press exit button once, the LED light shines, then they pair successfully.

5.2 Clear Pairing

Press the control panel's button "Pair" for 5 seconds, the indicator light shines quickly, then clear Pairing successfully.

6. Packing List

Name	Quantity
Wireless Exit Button	1
Control Panel	1
Manual	1
3M Sticker	1
Self Tapping Screw	2