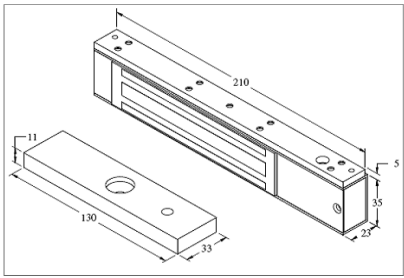
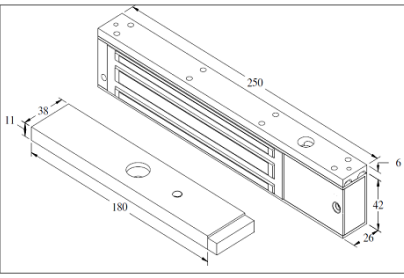
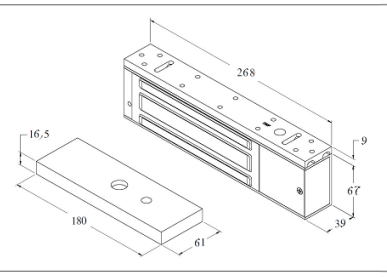
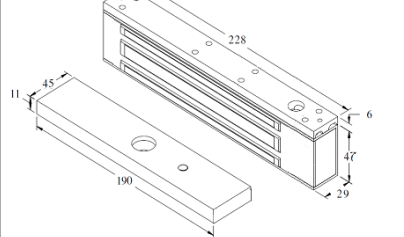


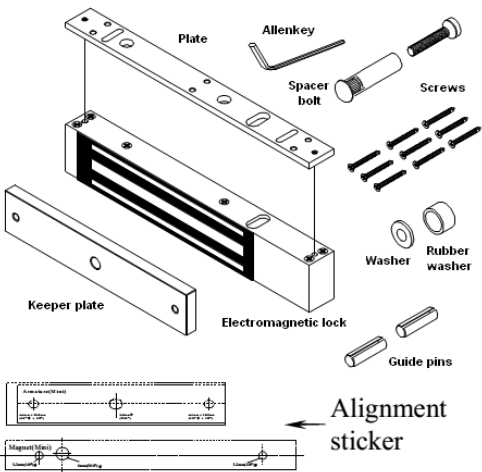
ELECTROMAGNETIC LOCK INSTALLATION INSTRUCTIONS

E D T series

EDT 150_001	EDT 300_001...003	EDT 500_001
		
EDT 35W_000...001		
		

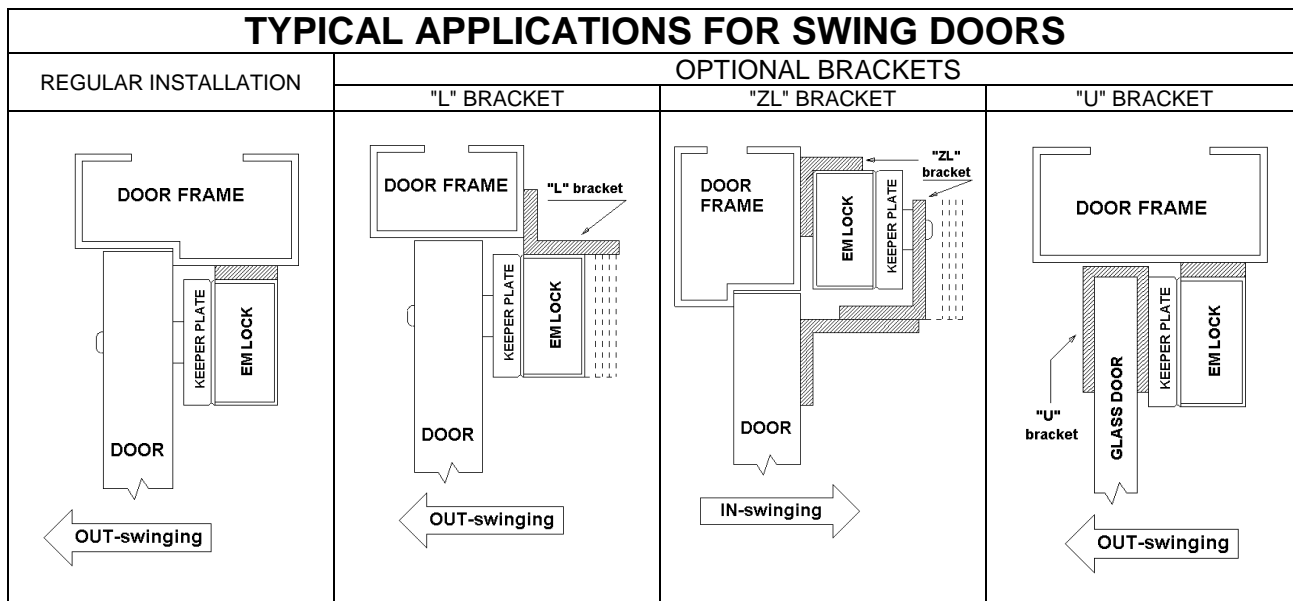
Dimensions in mm

PACKAGE CONTENTS

	DESCRIPTION	EDT150	EDT300	EDT500
		q.ty	q.ty	q.ty
	Electromagnetic lock	1	1	1
	Keeper plate	1	1	1
	Plate	1	1	1
	Screw 3,2x18 mm	10	10	-
	Screw 4x25 mm	-	-	12
	Guide pins 4x12 mm	2	2	2
	Spacer bolt	1	1	1
	Allenkey 3 mm	1	1	-
	Allenkey 5 mm	-	-	1
	Washer	1	1	1
	Rubber washer	1	1	1

Note: check that the screws provided are appropriate to the surface before installing the electromagnet

TYPICAL APPLICATIONS FOR SWING DOORS



TECHNICAL SPECIFICATIONS

TIPO	HOLDING FORCE		POWER SUPPLY				USE
	Kg	N	Vdc	mA	Vdc	mA	
EDT150	150	1470	12	380	24	215	SWING DOORS
EDT300	300	2940		530		290	
EDT35W	350	3430		480		240	
EDT500	500	4900		450		255	

ELECTRICAL CONNECTIONS

