

# L-SHAPED BRACKET

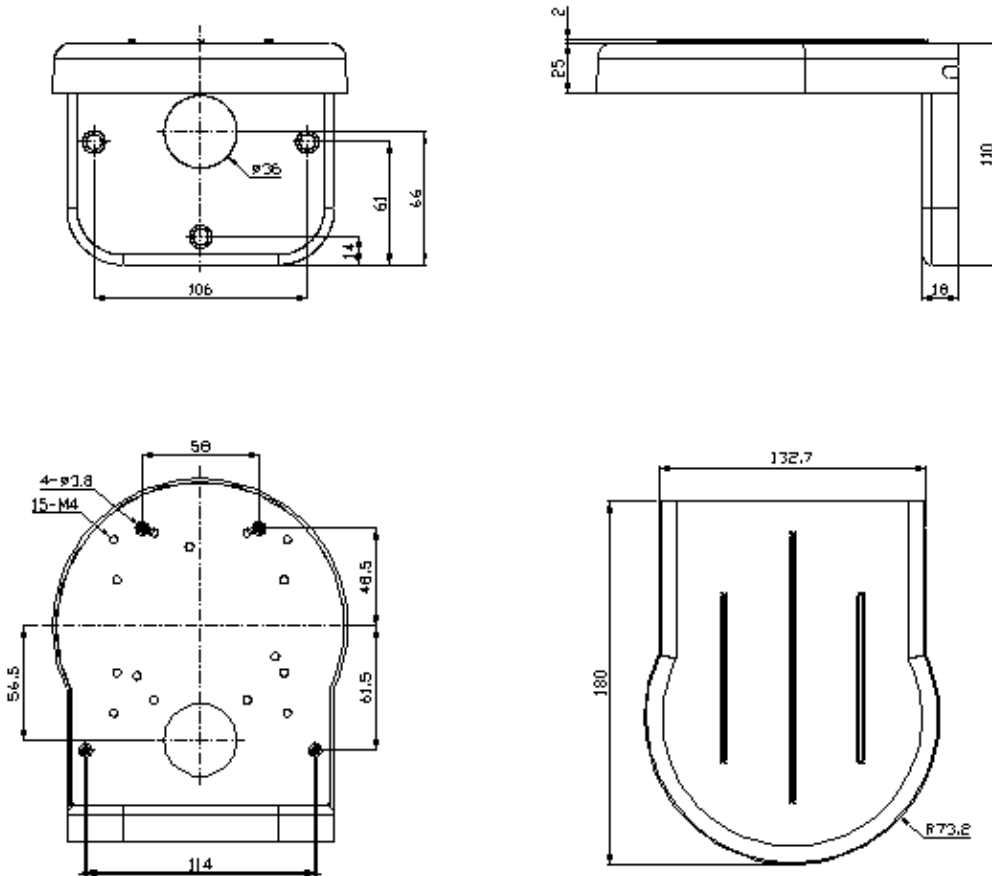
## Quick Installation Guide



## Prologue

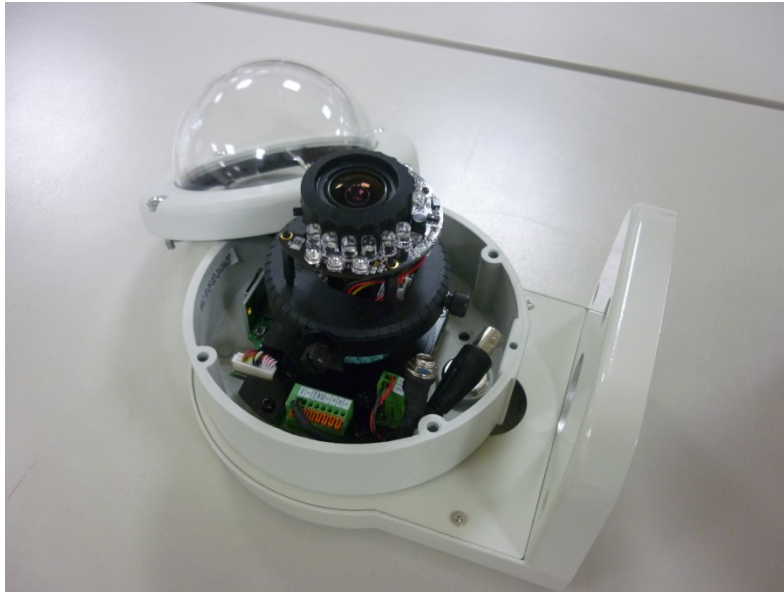
L-shaped bracket is an optional accessory of camera. With this bracket, you can fix the dome camera on the vertical wall, and keep the camera lens facing down. The camera cable can be through the bracket and into the wall.

## Dimension

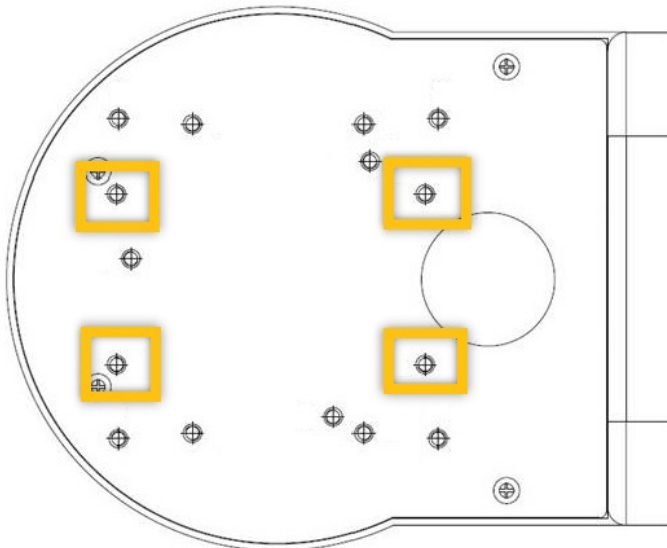


## Installation Steps

1. Open the camera dome cover, and put the camera on the L-shaped bracket.



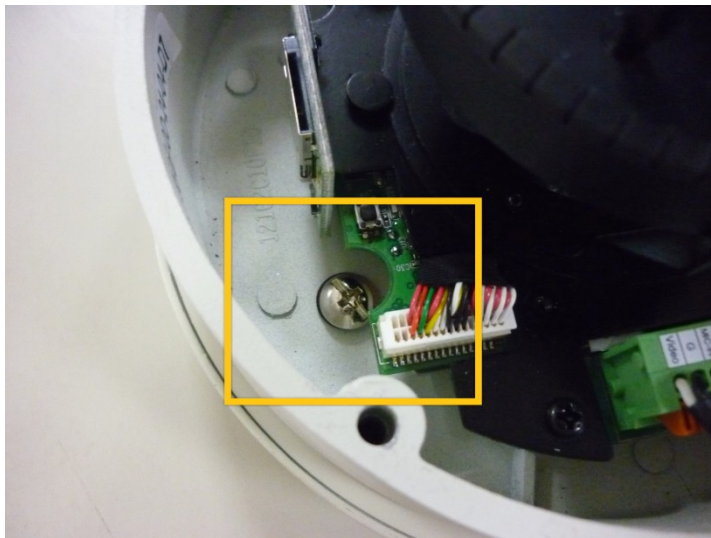
2. When putting the camera on the L-shaped bracket, please refer to the four screw holes marked in orange.



3. Apply the black o-rings on the screws. Without the o-ring, water may seep into the camera through the screw holes.



4. Lock the 4 screws (with o-rings) tightly to fix the bottom of camera with the L-shaped bracket.

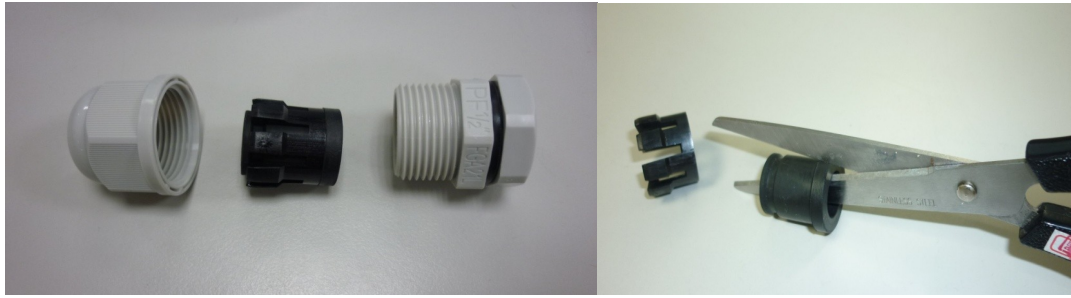


5. Make you external cables (power cable, ethernet cable.etc) through the waterproof connector and the hole of the bracket, and then connected with the camera.



6. There's a rubber ring in the waterproof connector. If it's difficult

to make the cable through the ring, you can cut ring.



7. Turn and fix the waterproof connector to the box. Please leave no gap between the connector and the box. Then screw the little stop screw into the hole on the box fringe.



8. Close the dome cover, and use the 3 screws to fix the L-shaped bracket on the wall.

